



Woodworking machinery at its best!

DUST & CHIP EXTRACTOR OPERATORS MANUAL

MODEL: W691

Please Note:
This machine requires
a 16amp electric supply



**Charnwood, Cedar Court, Walker Road,
Hilltop Industrial Estate, Bardon Hill, Leicestershire, LE67 1TU**

**Tel. 01530 516 926 Fax. 01530 516 929
email: sales@charnwood.net website: www.charnwood.net**

GENERAL SAFETY RULES



WARNING: Do not attempt to operate the machine until you have read thoroughly and understood completely all instructions, rules, etc. contained in this manual. Failure to comply may result in accidents involving fire, electric shock, or serious personal injury. Keep this owner's manual and review frequently for continuous safe operation.

1. Know your machine. For your own safety, read the owner's manual carefully. Learn its application and limitations, as well as specific potential hazards pertinent to this machine.
2. Make sure all tools are properly earthed.
3. Keep guards in place and in working order. If a guard must be removed for maintenance or cleaning, make sure it is properly replaced before using the machine again.
4. Remove adjusting keys and spanners. Form a habit of checking to see that the keys and adjusting spanners are removed from the machine before switched it on.
5. Keep your work area clean. Cluttered areas and workbenches increase the chance of an accident.
6. Do not use in dangerous environments. Do not use power tools in damp or wet locations, or expose them to rain. Keep work areas well illuminated.
7. Keep children away. All visitors should be kept a safe distance from the work area.
8. Make workshop childproof. Use padlocks, master switches and remove starter keys.
9. Do not force the machine. It will do the job better and be safer at the rate for which it is designed.
10. Use the right tools. Do not force the machine or attachments to do a job for which they are not designed. Contact the manufacturer or distributor if there is any question about the machine's suitability for a particular task.

11. Wear proper apparel. Avoid loose clothing, gloves, ties, rings, bracelets, and jewellery which could get caught in moving parts. Non-slip footwear is recommended. Wear protective hair covering to contain long hair.
12. Always use safety glasses. Normal spectacles only have impact resistant lenses. They are not safety glasses.
13. Do not over-reach. Keep proper footing and balance at all times.
14. Maintain the machine in good condition. Keep the machine clean for best and safest performance. Follow instructions for lubrication and changing accessories.
15. Disconnect the machine from power source before servicing and when changing the blade.
16. Never leave the machine running unattended. Turn the power off. Do not leave the machine until it comes to a complete stop.
17. Do not use any power tools while under the effects of drugs, alcohol or medication.
18. Always wear a face or dust mask if operation creates a lot of dust and/or chips. Always operate the tool in a well ventilated area and provide for proper dust removal. Use a suitable dust extractor.

ADDITIONAL RULES FOR DUST EXTRACTORS

1. Dust extractors are frequently moved around the workshop. Make sure that mains cables and extractor hoses are positioned in such a way that they do not present a trip hazard.
2. Do not pick up pieces of metal or large chunks of wood.
3. Switch off and unplug the extractor before removing the collection bag and/or filter.
4. Do not allow the collection bag to become over full.
5. When necessary, wash, thoroughly rinse and completely dry the filter bag. Using a wet or damp filter bag will reduce its efficiency as it will quickly become clogged.
6. Dispose of waste in accordance with local regulations.

Specification

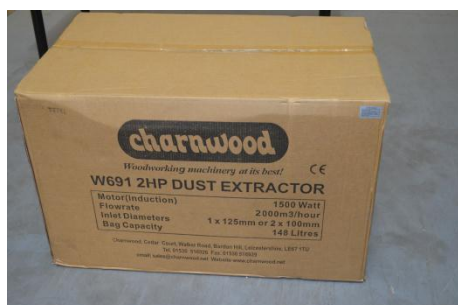
Motor (induction)	1500w (2hp), 240v
Flowrate (cubic metres per hour)	2000m ³ /hour
Inlet Diameter	1 x 125mm or 2 x 100mm
Bag capacity	148 Litres
Collection Bag Size (order ref W791PB)	800mm x 1075mm
Maximum continuous run time	2 hours
Dimensions (WxDxH)	900mm x 560mm x 1950mm
Weight	47kg
Rating	Hobby / Light trade
Warranty	1 Year

Rating Description

Light Trade: Suitable for professional woodworkers where the machine will not be in daily use.

Mid range machines with a heavier build and more power. Typically used by 2 or 3 people within a small business and also for the dedicated hobbyist with a larger budget. It is expected to be used up to the machines maximum limit with occasional long work periods. Suitable for income generation. Expected maximum use of 300 hours annually.

Unpacking



Open the carton and carefully unpack all of the contents.



Familiarise yourself with the parts and take the time to read these instructions.

Assembly



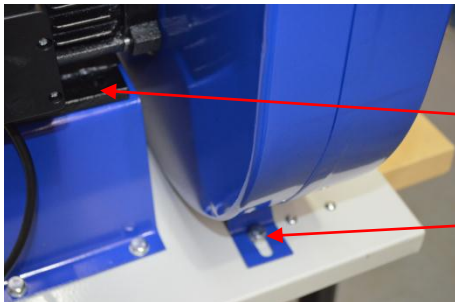
Leave all bolts finger tight until each castor is fitted.

Place the base upside down and bolt one of the castors into the corner as shown. Use 4 domed cross head bolts, nuts and washers provided, to mount each castor.

Continue with the remaining three.



Invert the base so that it is standing on its castors and bolt on the motor support bracket, Part 5. Use the 4 of the M8 x 16mm hex headed bolts, and washers. Fix the front first so that you can place a thumb inside the bracket to help line up the rear fixing holes.



Position the fan/motor assembly as shown and bolt it to the base plate and motor support bracket.

Use 4, M8 x 25mm long bolts to secure the motor to the support bracket.

Use 2, M8 x 16mm bolts to secure the fan assembly to the base plate.



Place the rubber gasket on top of the air outlet.



Place the outlet hose adaptor over the gasket and fix it to the flange using 6 M6 x 20mm hex head bolts, washers and nuts.

DO NOT over-tighten these or you will break the plastic.



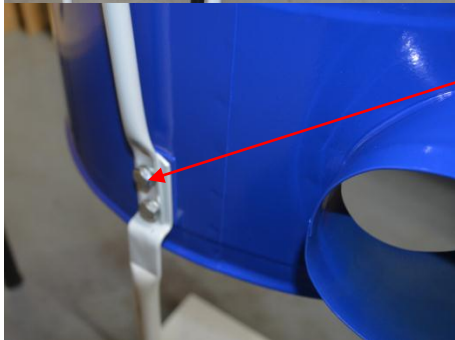
Bolt on the three collector support arms, making sure that the tops are cranked inwards.

Use 2 M8 x 16mm hex head bolts, washers and nuts to secure each support arm.



Place the assembled unit on the floor. Lift the collector, part 33, and hold it in position with the 3 support arms on the outside of the collector.

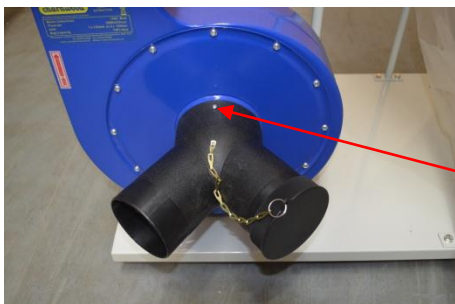
For one of the side arms, feed an M8 x 16mm bolt, with washer, through the upper hole in the arm and screw it into the collector. Leave it loose. Repeat with the opposite support arm. Now fit the other 2 bolts in those support arms.



The support arm closest to the motor is fitted with an additional arm to support the filter bag. Feed the M8 x 16mm bolt with washer through the filter bag support arm and collector support arm.



Place the two hose clamps over the end of the hose, fit the hose over the outlet hose adaptor and the collector inlet, fixing it in place with the two clamps.



The fan inlet is 125mm diameter. It can be used directly with a 125mm diameter hose.

For most applications it is preferable to use 100mm diameter hose.

To convert the inlet for using 100mm diameter hose, fit the Y shaped inlet and secure it with one self tapping screw.



Fit the transparent plastic bag over the bottom of the collector and secure it with one of the flexible clamps.

If you have a helper, have them hold the bag in place for you while you attach and tighten the clamp.

If you are working by yourself, temporarily fix the bag in place with three or four pieces of sticky tape so that you have both hands free to fit the clamp.

Hang the filter bag from its support arm and fit it over the upper rim of the collector.

Feed the plain end of the second flexible clamp through the slit at the bottom of the filter bag and keep pushing until it emerges from the other slit. Clamp it, as shown and your extractor is ready for use.

Note: This extractor is supplied with bare wires and must be wired into a 16A supply.

Using the Extractor

A 16amp fixed electric supply is required to run this machine.

This machine is intended for Light Trade use which means it has a maximum continuous running time of 2 hours, after which the motor must be rested and left to cool.

Hose is not supplied as standard, our 100mm diameter transparent flexible hose is recommended, sold by the metre.

The extractor is fitted with two 100mm diameter inlets, which can be used simultaneously for example to collect from above and below the saw blade on a table saw.

Please Note: Maximum recommended total hose length in use at any time is 7 metres. Longer hose lengths may be used, but will reduce the performance.

When using the extractor with machines which have a smaller diameter connection, it is recommended to run the 100mm diameter hose from the extractor up to the machines dust outlet and fit the appropriate sized reducer at that point. This will maintain the airflow rate of the unit. For some applications it may be more convenient to use a smaller diameter hose. This will inevitably reduce the performance of the machine and the length of small diameter hose should be kept to a minimum.

Always start the extractor running before starting the dust producing machinery. Also allow the extractor to run for 10 seconds after the other machine is switched off to allow dust in the hose system to clear.

Empty the collection bag before it is overfull and dispose of the waste in accordance with the current requirements of your local authority.

Optional Items

More information can be found on our website www.charnwood.net

W791PB Replacement Plastic Collection Bags: 800mm x 1075mm, pack of 10

Flexible Transparent Extraction Hose:

Priced per metre and cut to length.

Available in 7 different diameters: 38mm, 50mm, 65mm, 75mm, 100mm, 125mm, 150mm

Metal Hose Clamps: For securing the hose, available in all diameters.

Fittings: Various fittings to be used with 100mm diameter hose to create a branch system around the workshop. Gates can be used to close off any branch lines which are not currently in use.

Reducing Connectors: Charnwood have a large range of plastic connectors, which allow different diameter hoses to be connected together or for connecting to bench top machines with different sized outlets.



Troubleshooting

Reduced Performance

Check the collection bag is not full.
Empty or replace the bag as required.

Check the filter bag is not clogged. Turn the bag inside out and scrape the inside clean. The filter bag can also be washed, ensure it is completely dry before refitting.

Examine the hose system looking for blockages. Remove the hose and clear out the blockage.

Examine the hose and fittings for splits or air leaks. Secure the leaks and replace any worn hose.

Rattling noise and vibration

Large pieces may be blocked by the inlet grill. Remove the hose and Y-shaped connector from fan housing and check for pieces of wood or foreign bodies that are unable to pass through the grill. Remove them and reattach hose.

Extractor will not start

Check circuit breaker. Reset as required.
(Ensure fuse is at least 16 amps and D type)

Loose wire. Remove the switch, check the wires are pushed firmly onto the terminals.

Failed switch. Replace the on/off switch.

Extractor does not run but buzzing noise heard from motor

Capacitor failure. (for confirmation, remove the cover from the motor cooling fan, spin the cooling fan by hand. Press the start button whilst the shaft is still rotating. If the motors now runs normally, the start capacitor has failed.) Replace the start capacitor.

Extractor cuts out whilst running

Overheating. This extractor has a maximum running time of 2 hours. Do not exceed this as excessive heat will permanently damage the motor. Leave the motor to cool and try again.


Declaration of Conformity for CE Marking

Charnwood Declare that Woodworking Dust Collector, Model W691

Conforms with the following Directives: Machinery Directive 2006/42/EC
EMC Directive 2004/108/EC

And further conforms to the machinery example for which the EC type examination Certificate No. AM 50189644 and AE 50220714 have been issued by TUV Rheinland LGA Products GmbH, Tillystrasse 2, 90431, Nurnberg.

I hereby declare that equipment named above has been tested and found to comply with the relevant sections of the above referenced specifications. The machinery complies with all essential requirements of the directive.

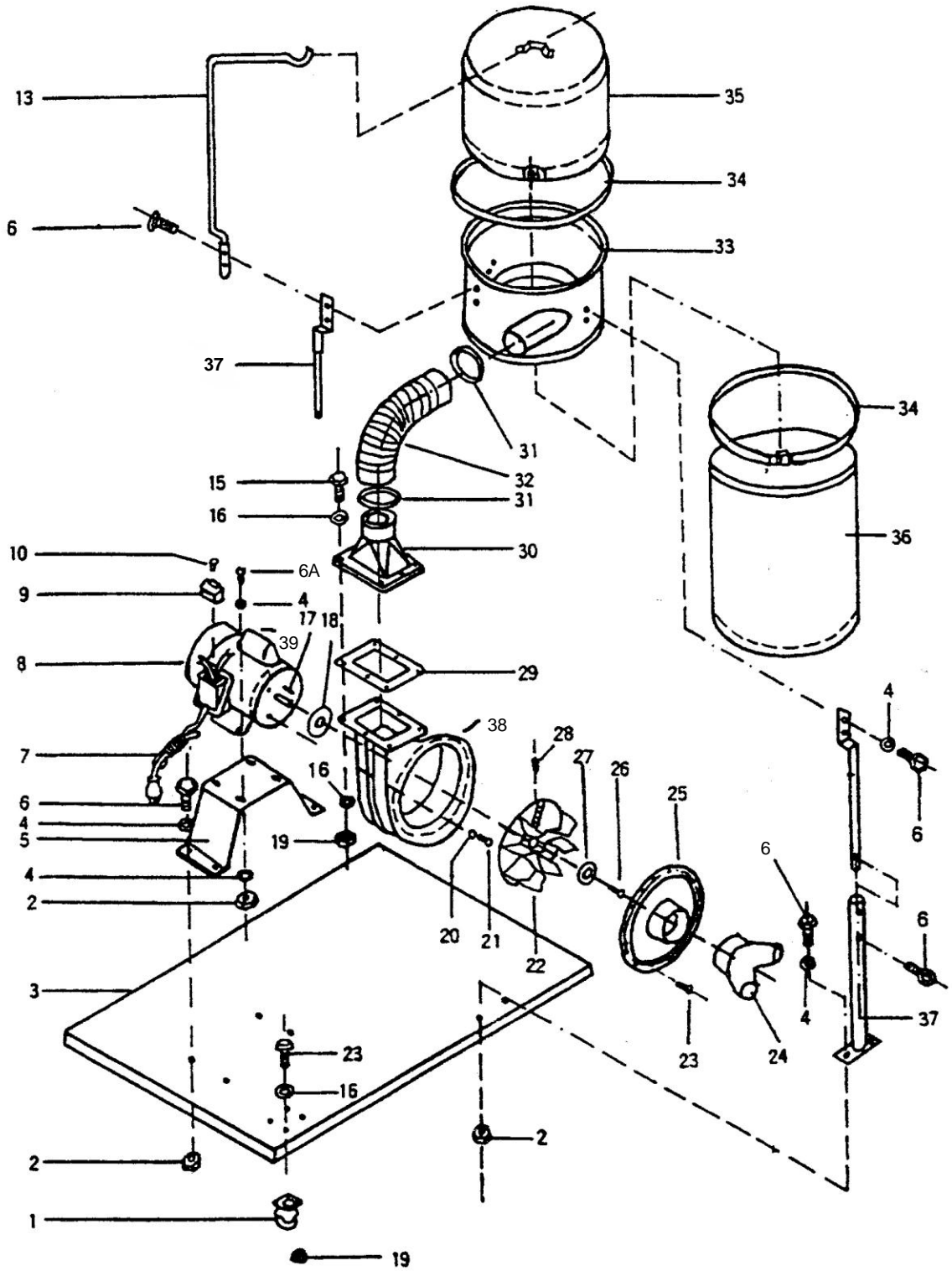
Signed:  Dated: 30/09/2010 Location: Leicestershire

Richard Cook, Director

Parts List

1	Castor (4)	20	Washer
2	M8 Nut (4)	21	Hex headed bolt
3	Base plate	22	Fan
4	M8 Washer (28)	23	Domed head bolt (16)
5	Motor support bracket	24	Y shaped Inlet
6	M8 x 16 Hex head bolt (18)	25	Inlet cover
6a	M8 x 25 Hex head bolt (4)	26	Screw
7	Mains cable	27	Washer
8	Motor 240v 1500w	28	Hex headed bolt
9	Switch KJD12	29	Rubber Gasket
10	Switch cover	30	Outlet hose adapter
11		31	Hose clamp (2)
12		32	Hose
13	Filter bag support arm	33	Collector
15	M6 x 20 Hex head bolt (6)	34	Bag clamp (2)
16	M6 Washer (28)	35	Cloth Filter bag
17	Key	36	Plastic Collector bag
18	Washer	37	Collector support arm (3)
19	M6 Nut (22)	38	Fan housing
		39	Motor Start Capacitor (50mf, 450VAC)

CHARNWOOD W691 EXTRACTOR EXPLODED DIAGRAM





Woodworking machinery at its best!

**Charnwood, Cedar Court, Walker Road,
Hilltop Industrial Estate, Bardon Hill, Leicestershire, LE67 1TU**

**Tel. 01530 516 926 Fax. 01530 516 929
email: sales@charnwood.net website: www.charnwood.net**