

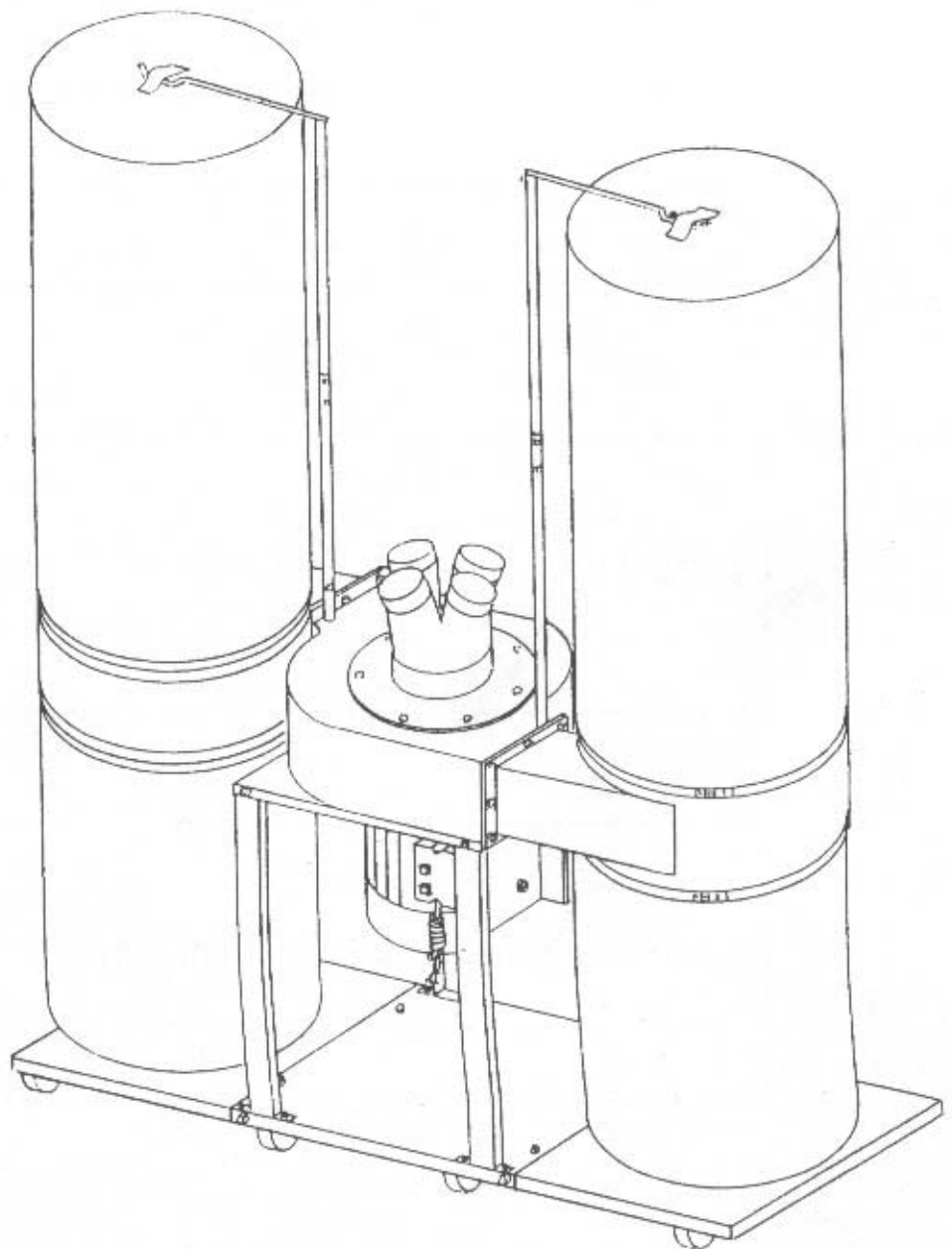
W795

OPERATING MANUAL & PARTS LIST



WARNING :

The operator must thoroughly read and understand this manual before operating the dust collector or commencing any servicing. Care should be taken to follow all safety rules and warning instructions.



READ THIS MANUAL CAREFULLY BEFORE ASSEMBLY, TESTING & OPERATING

CONTENTS

SPECIFICATIONS-----	2
UNPACKING AND CHECKING CONTENTS-----	3
ASSEMBLY-----	4.5.6.7
SAFETY RULES-----	8.9
GROUNDING-----	10
PARTS DIAGRAM-----	11
PARTS LIST-----	12

- **WARNING!**

Please read this manual carefully before assembly, testing and operating.

- **WARNING!**

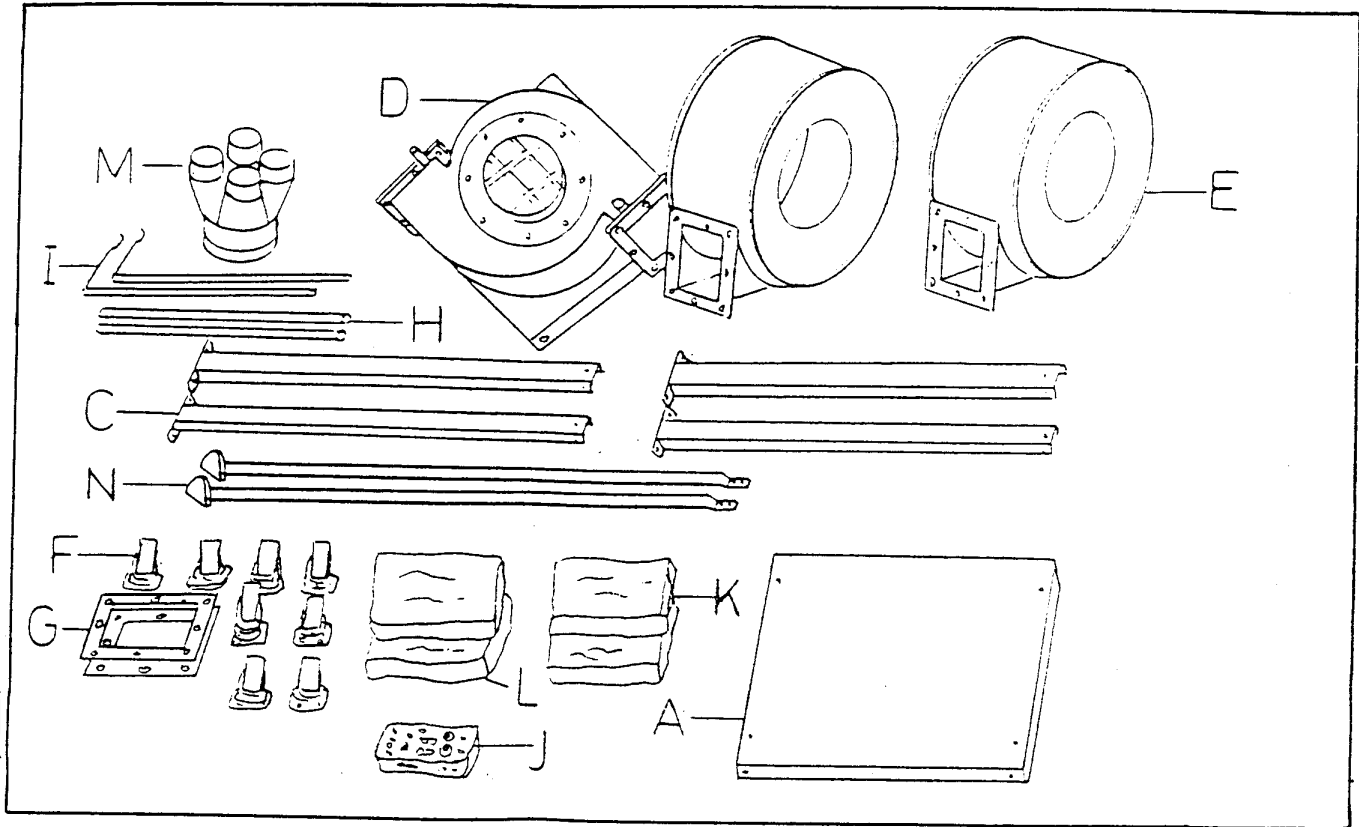
Do not operate this unit until the PVC hose is installed onto the dust inlet port.

SPECIFICATIONS

Motor-----	3.75kw, 415v, 3ph
AIR CAPACITY-----	6500 cmh
STATIC PRESSURE-----	18 INCH OF WATER
IMPELLER-----	13"
NOISE-----	75~85dB
INLET-----	305mm (12")
OUTLET-----	3 x 127mm (5")
N.W.-----	148kg
G.W.-----	168kg
CUFT-----	24'

UNPACKING AND CHECKING CONTENTS

Unpack carton, check machine, to see parts listed below:



- A. Main base
- B. Right and left side legs
- C. Collector body & fan/motor assembly
- D. Collector
- E. Eight casters
- F. Gasket
- G. Two upper bag support
- H. Two hanger
- I. Nuts, screws, washer, spring washers, and wrench
- J. Bottom bag
- K. Upper bag
- L. Four hole inlet
- M. Two Support

ASSEMBLY

1. To assembly, position the main base upside down and locate the casters so they are within easy reach. Mounting the casters to the main base using sixteen $5/16$ "x $1/2$ " hex. bolts provided. Showing as **Figure 1**.

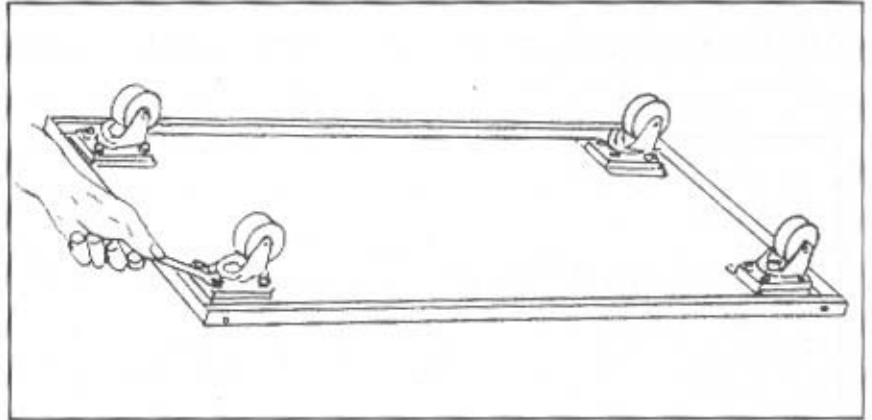
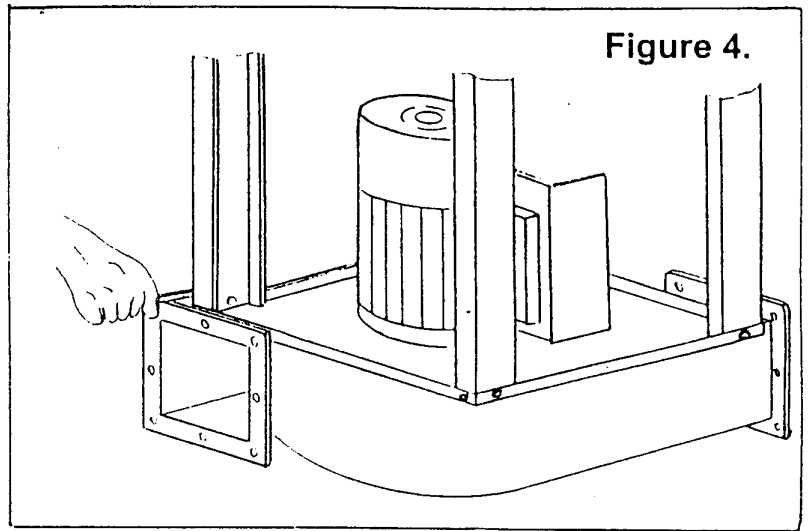
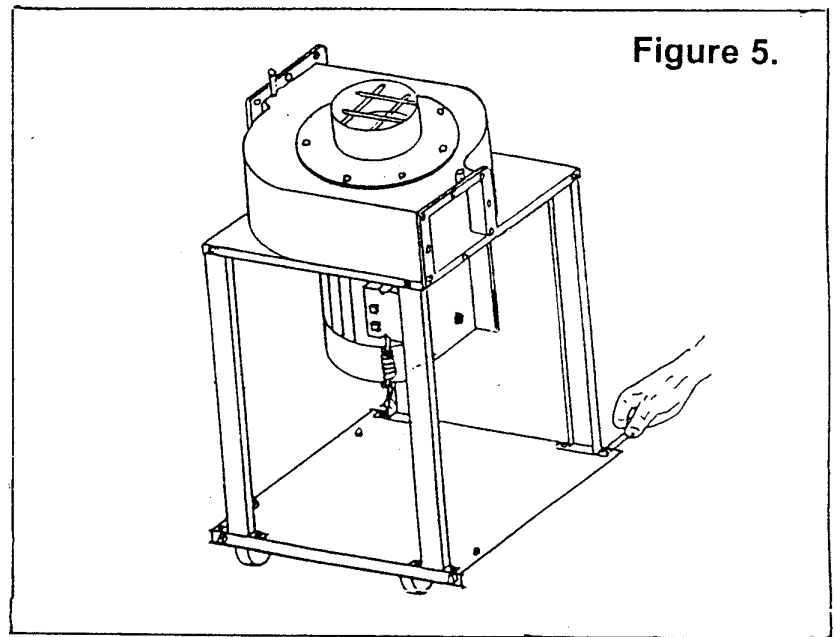


Figure 1

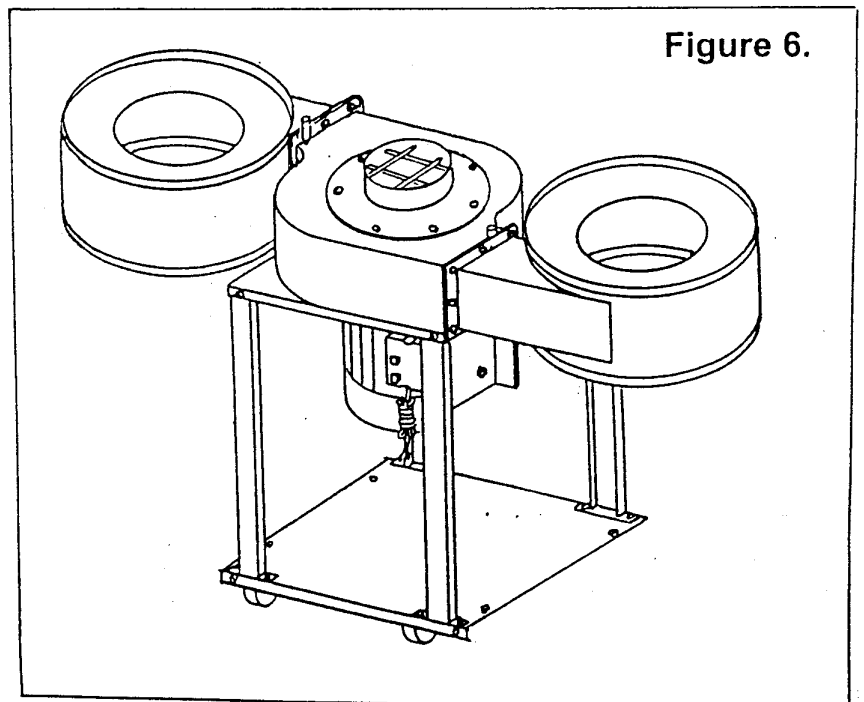
4. Place the collector body and fan motor assembly upside down. Laying up the four legs to the double side by using eight 5/16"x1/2" hex. bolts provided. Tighten all screws fasten and securely. Showing as **Figure 4.**



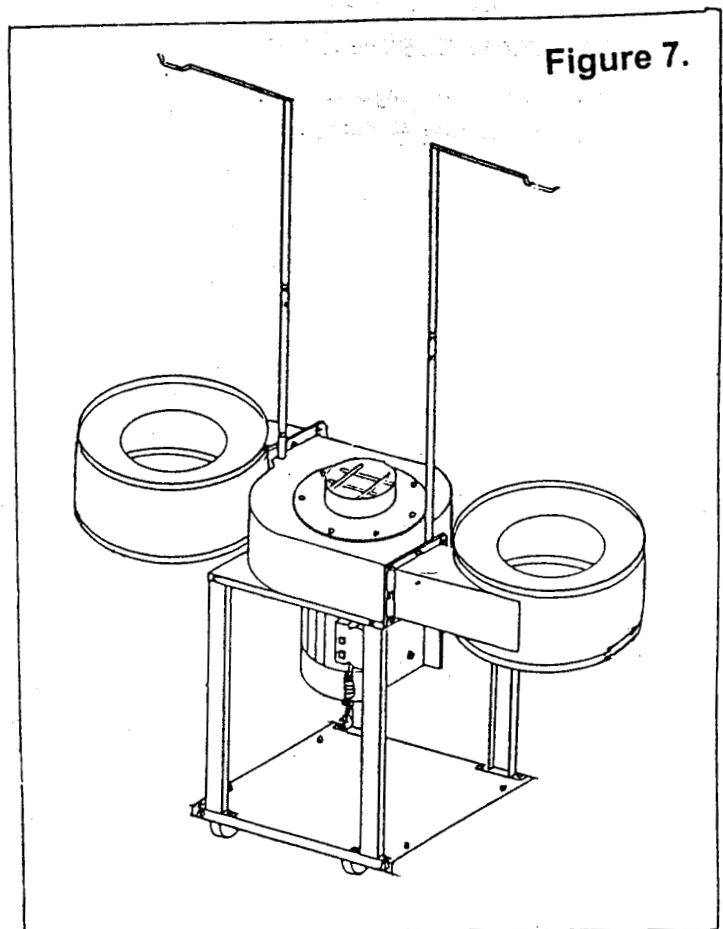
5. Connecting the collector body and fan motor assembly with the main base together by using eight 5/16"x1/2" hex. bolts provided. Fasten the screws tightly. Showing as **Figure 5**



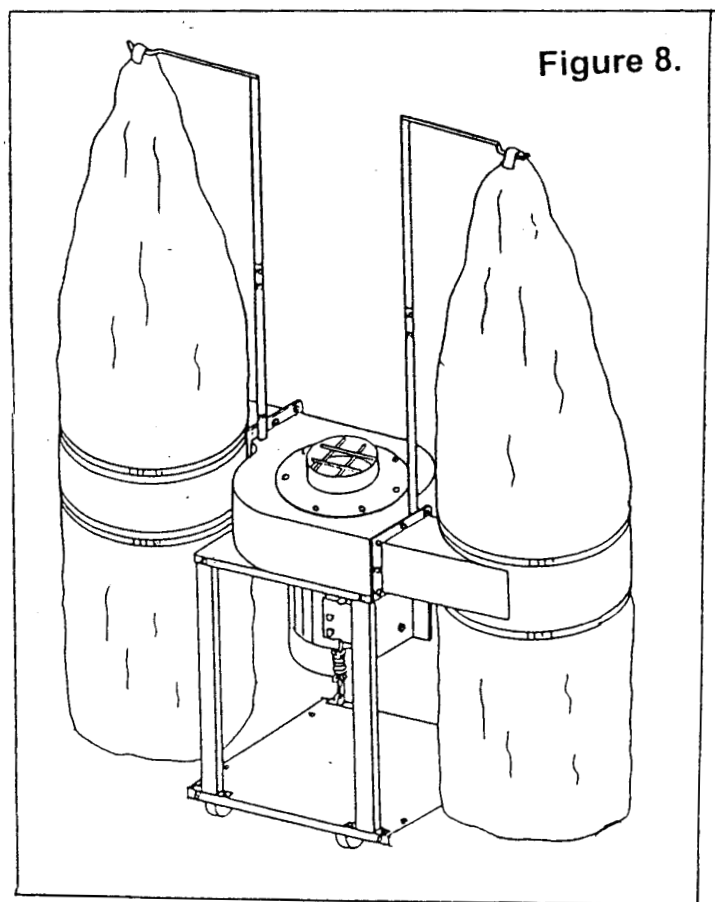
6. Mounting the gasket to the outlet of collector body. Connecting the collector body and fan and motor assembly by using sixteen 5/16"x1" hex. head screws. Fasten the screws tightly. Showing as **Figure 6.**



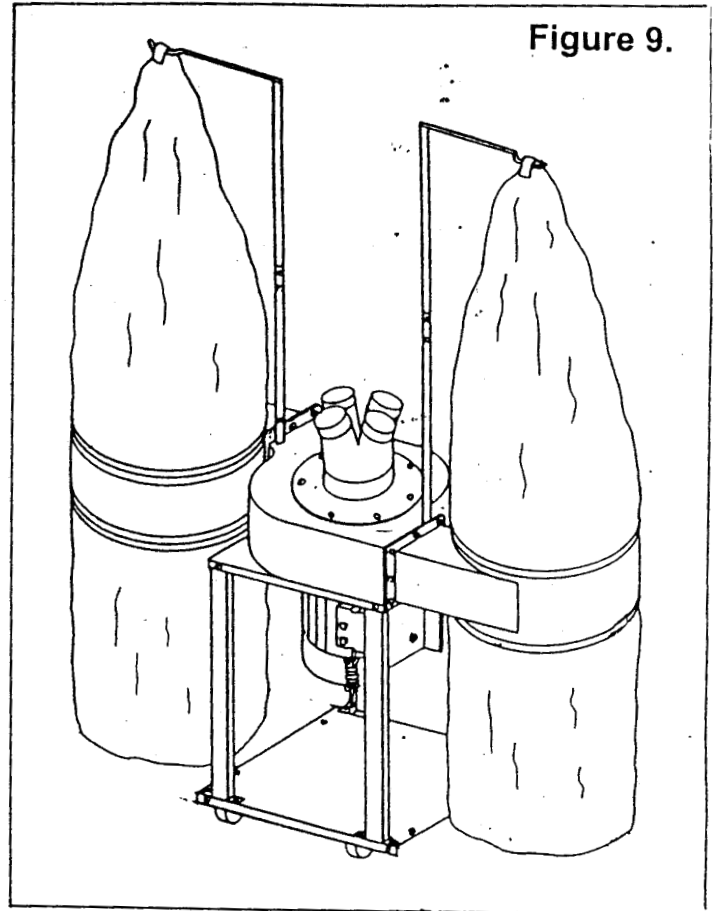
7. Connecting the upper bag support and hanger by using four 1/4"x1/2" hex. head bolts provided. Then, mounting the upper bag support on the hole provided at the top of collector body by using two 1/4"x1/2" hex. head bolts provided. Showing as **Figure 7.**



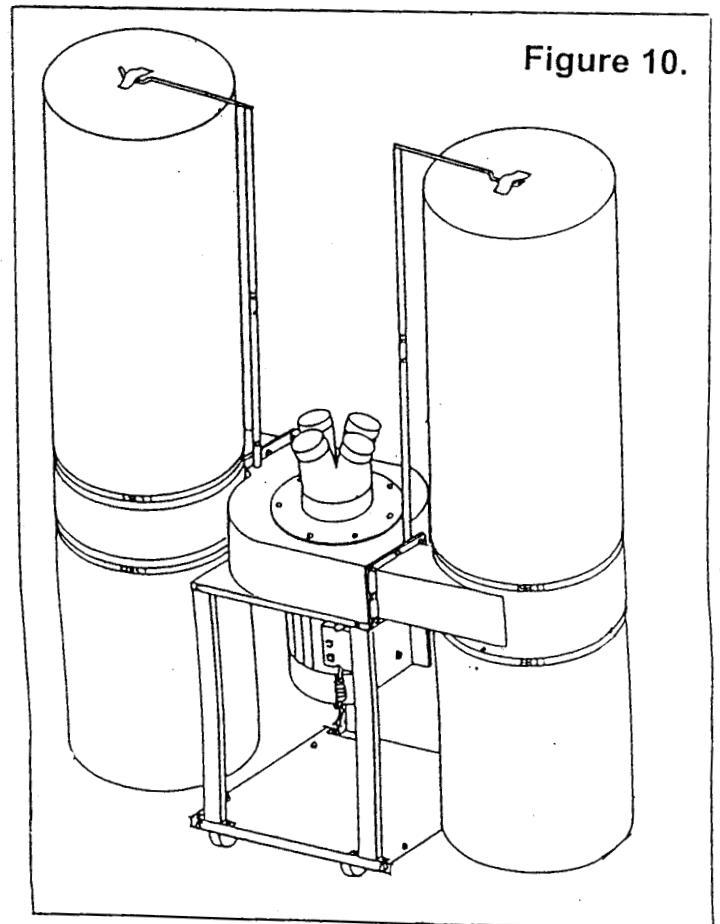
8. Hook the top loop of the upper bag over the support bracket. Place the upper bag and bottom bag over the top edge of the collector and pull the strap tight to secure. Slip the bag clamp around the filter bag and tighten down. Showing as **Figure 8.**



9. Press the four to one inlet onto the inlet cover flange. The inlet is secured to the collector body by a press on fit. Showing as **Figure 9.**



10. Now your duct collector is finished assembly and ready to be used. Before connecting to a power source, please be sure the power source is properly grounded and is the correct voltage and amperage. Showing as **Figure 10.**



IMPORTANT SAFETY RULES

Woodworking can be dangerous if safe and proper operating procedures are not followed. As with all machinery, there are certain hazards involved with the operation of the product. Using the machine with respect and caution will considerably lessen the possibility of personal injury. However, if normal safety precautions are overlooked or ignored, personal injury to the operator may result.

Safety equipment such as guards, push sticks, hold-downs, featherboards, goggles, dust masks and hearing protection can reduce your potential for injury. But even the best guard won't make up for poor judgment, carelessness or inattention. Always use common sense and exercise caution in the workshop. If a procedure feels dangerous, don't try it. Figure out an alternative procedure that feels safer. **REMEMBER:** Your personal safety is your responsibility.

WARNING : FAILURE TO FOLLOW THESE RULES MAY RESULT IN SERIOUS PERSONAL INJURY

1. **FOR YOUR OWN SAFETY, READ INSTRUCTION MANUAL BEFORE OPERATING THE TOOL.** Learn the tool's application and limitations as well as the specific hazards peculiar to it.
2. **KEEP GUARDS IN PLACE** and in working order.
3. **ALWAYS WEAR EYE PROTECTION.**
4. **GROUND ALL TOOLS.** If tool is equipped with three-prong plug, it should be plugged into a three-hole electrical receptacle. If an adapter is used to accommodate a two-prong receptacle, the adapter lug must be attached to a known ground. Never remove the third prong.
5. **REMOVE ADJUSTING KEYS AND WRENCHES.** Form habit of checking to see that keys and adjusting wrenches are removed from tool before turning it "on".
6. **KEEP WORK AREA CLEAN.** Cluttered areas and benches invite accidents.
7. **DON'T USE IN DANGEROUS ENVIRONMENT.** Don't use power tools in damp or wet locations, or expose them to rain. Keep work area well-lighted.
8. **KEEP CHILDREN AND VISITORS AWAY.** All children and visitors should be kept a safe distance from work area.
9. **MAKE WORKSHOP CHILDPROOF** - with padlocks, master switches, or by removing starter keys.
10. **DON'T FORCE TOOL.** It will do the job better and be safer at the rate for which it was designed.
11. **USE RIGHT TOOL.** Don't force tool or attachment to do a job for which it was not designed.
12. **WEAR PROPER APPAREL.** No loose clothing, gloves, neckties, rings, bracelets, or other jewelry to get caught in moving parts. Nonslip footwear is recommended. Wear protective hair covering to contain long hair.
13. **ALWAYS USE SAFETY GLASSES.** Wear safety glasses. Everyday eyeglasses only have impact resistant lenses; they are not safety glasses. Also use face or dust mask if cutting operation is dusty.
14. **SECURE WORK.** Use clamps or a vise to hold work when practical. It's safer than using your hand and frees both hands to operate tool.
15. **DON'T OVERREACH.** Keep proper footing and balance at all times.
16. **MAINTAIN TOOLS IN TOP CONDITION.** Keep tools sharp and clean for best and safest performance. Follow instructions for lubricating and changing accessories.
17. **DISCONNECT TOOLS** before servicing and when changing accessories such as blades, bits, cutters, etc.
18. **USE RECOMMENDED ACCESSORIES.** The use of accessories and attachments not recommended by us may cause hazards or risk of injury to persons.
19. **REDUCE THE RISK OF UNINTENTIONAL STARTING.** Make sure switch is in "OFF" position before plugging in power cord.
20. **NEVER STAND ON TOOL.** Serious injury could occur if the tool is tipped or if the cutting tool is accidentally contacted.
21. **CHECK DAMAGED PARTS.** Before further use of the tool, a guard or other part that is damaged should be carefully checked to ensure that it will operate properly and perform its intended function - check for alignment of moving parts, binding of moving parts, breakage of parts, mounting, and any other conditions that may affect its operation. A guard or other part that is damaged should be properly repaired or replaced.
22. **DIRECTION OF FEED.** Feed work into a blade or cutter against the direction of rotation of the blade or cutter only.
23. **NEVER LEAVE TOOL RUNNING UNATTENDED. TURN POWER OFF.** Don't leave tool until it comes to a complete stop.
24. **DRUGS, ALCOHOL, MEDICATION.** Do not operate tool while under the influence of drugs, alcohol or any medication.
25. **MAKE SURE TOOL IS DISCONNECTED FROM POWER SUPPLY** while motor is being mounted, connected or reconnected.
26. **WARNING:** The dust generated by certain woods and wood products can be injurious to your health. Always operate machinery in well ventilated areas and provide for proper dust removal. Use wood dust collection systems whenever possible.

IMPORTANT SAFETY RULES FOR DUST COLLECTORS

WARNING : Basic precautions should always be followed when using your dust collector. To reduce the risk of injury, electrical shock or fire, comply with the safety rules listed below :

1. **READ** and understand the instruction manual before operating the dust collector.
2. **DO NOT** leave the dust collector plugged into the electrical outlet. Unplug dust collector from the outlet when not in use and before servicing, changing bags, unclogging and cleaning.
3. **ALWAYS** turn the power switch " OFF " before unplugging the dust collector.
4. **WARNING: TO REDUCT THE RISK OF ELECTRICAL SHOCK** do not use outdoors or on wet surfaces. Use for dry pickup only !
5. **FOLLOW** all electrical and safety codes, including the national Electric Code (NEC) and the Occupational Safety and Health Regulations (OSHA). All electrical connections and wiring should be made by qualified personnel only.
6. **DO NOT** use the dust collector to pick up flammable or combustible liquids such as gasoline. **NEVER** use the dust collector near any flammable or combustible liquids.
7. **USE** the dust collector to pick up wood materials only. **DO NOT** use the dust collector to pick up metal shavings, dust, water, or parts.
8. **NEVER** use the dust collector to dissipate fumes or smoke. **NEVER** pick up anything that is burning or smoking, such as cigarettes, matches or hot ashes.
9. **USE** only as described in this manual.
10. **DO NOT** pull the dust collector by the power cord. **NEVER** allow the power cord to come in contact with sharp edges, hot surfaces, oil or grease.
11. **DO NOT** unplug the dust collector by pulling on the power cord. **ALWAYS** grasp the plug, not the cord.
12. **DO NOT** handle the plug or dust collector with wet hands.
13. **REPLACE** a damaged cord immediately. **DO NOT** use a damaged cord or plug. If the dust collector is not operating properly, or has been damaged, left outdoors or has been in contact with water, return it to an Authorized Service Center for service.
14. **DO NOT** use the dust collector as a toy. **DO NOT** use near or around children.
15. **DO NOT** insert fingers or foreign objects into the dust intake ports. Keep hair, loose clothing, fingers, and all body parts away from openings and moving parts of the dust collector.
16. **DO NOT** use the dust collector without the filter bag and dust collection bag in place and properly secured.
17. **DO NOT** operate the dust collector with unused dust intake ports uncapped. **ALWAYS** cover exposed dust intake ports.
18. **PERIODICALLY INSPECT** dust and filter bags for any cuts, rips or tears. **NEVER** operate the dust collector with a damaged bag or vacuum hose.
19. The dust collector is designed for home use or light commercial duty **ONLY !**
20. **CONNECT** dust collector to a properly grounded outlet only. See grounding instruction.

SAVE THESE INSTRUCTIONS

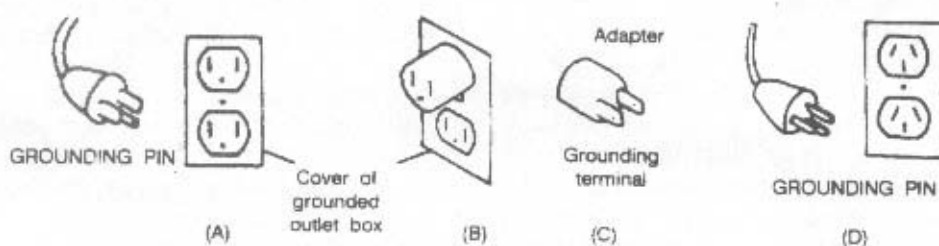
GROUNDING

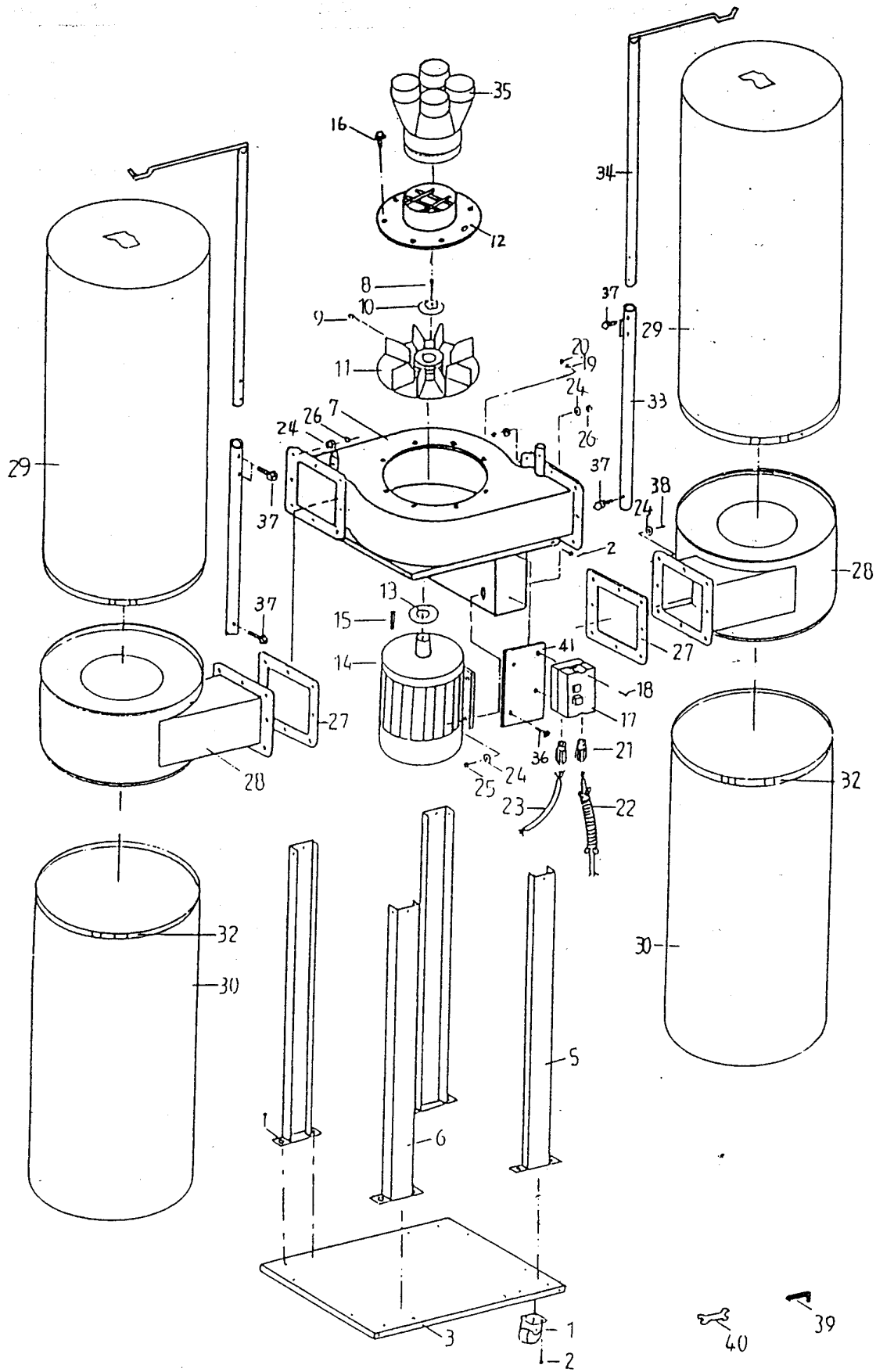
1. In the event of a malfunction or breakdown, grounding provides a path of least resistance for electric current to reduce the risk of electric shock. This tool is equipped with an electric cord having an equipment-grounding conductor and a grounding plug. The plug must be plugged into a matching outlet that is properly installed and grounded in accordance with all local codes and ordinances.
2. Do not modify the plug provided it will not fit the outlet. Have the proper outlet installed by a qualified electrician.
3. Improper connection of the equipment grounding conductor can result in a risk of electric shock. The conductor with insulation having an outer surface that is green with or without yellow stripe is the equipment-grounding conductor. If repair or replacement of the electric cord or plug is necessary, do not connect the equipment-grounding conductor to a live terminal.
4. Check with a qualified electrician or serviceman if the grounding instructions are not completely understood, or if in doubt as to whether the tool is properly grounded.
5. Use only 3-wire extension cords that have 3-prong grounding plugs and 3-pole receptacles that accept the tool's plug.
6. Repair or replace damaged or worn cord immediately.
7. This tool is intended for use on a circuit that has an outlet that looks like the one illustrated in sketch A. The tool has a grounding plug that looks like the plug illustrated in sketch A. A temporary adapter, which looks like the adapter illustrated in sketches B and C, may be used to connect his plug to a 1-pole receptacle as shown in sketch B if a properly grounded outlet is not available. The temporary adapter should be used only until a properly grounded outlet can be installed by a qualified electrician. The green-colored rigid ear, lug, etc. extending from the adapter must be connected to a permanent ground such as a properly grounded outlet box.

NOTE: The type of electrical plug and receptacle differs from country to country.

Caution: In Canada only the grounding shown in figure (A) is acceptable. The extension cords should be CSA certified S.J.T. type or something better.

Caution: In Australia only the grounding shown in figure (D) is acceptable. The extension cords should be SAA certified.





PARTS LIST

NO.	DESCRIPTION	SPECIFICATION	Q'TY
1	Caster	3"	8
2	Hex.Soc.Set Screw	5/16" x 1/2"	64
3	Middle Base		1
5	Right Support		2
6	Left Support		2
7	Housing		1
8	Hex.Soc.Head Screw	M6x20mm	1
9	Hex.Head. Screw	3/8"x1"	1
10	Washer		1
11	Impeller		1
12	Inlet Cover		1
13	Gasket		1
14	Motor		1
15	Key	8x8x50	1
16	Hex.Soc.Set Screw	5/16"x3/4"	8
17	Switch		1
18	Hex.Head. Screw	3/16"x3/4"	2
19	Washer	3/16"	2
20	Nut	3/16"	2
21	Wire Protection		3
22	Power Cord		1
23	Motor Cord		1
24	Washer	5/16"x23mm	40
25	Hex.Head. Screw	5/16"x1"	4
26	Nut	5/16"	20
27	Gasket		2
28	Drum		2
29	Dust Upper Bag		2
30	Dust Bottom Bag		2
32	Band Clamp		4
33	Upper hanger		2
34	Down hanger		2
35	Inlet(4-hole manifold)		1
36	Round. Head. Screw	3/16" X3/4"	2
37	Hex.Head. Screw	1/4"x1/2"	6
38	Hex.Head. Screw	5/16"x1"	16
39	Hex.Wrench	5mm	1
40	Open End Wrench	10x12mm	1
41	Switch Plate		1