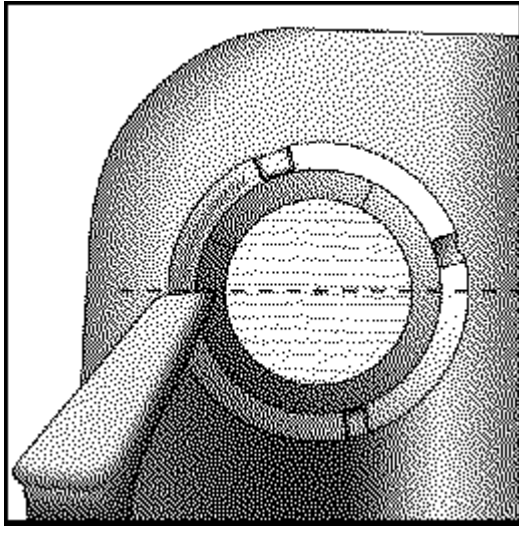


Spindlemaster

The Robert Sorby Spindlemaster is ideal for all spindle turning applications. It utilises the highly polished bevel to achieve a perfect finish particularly on soft woods

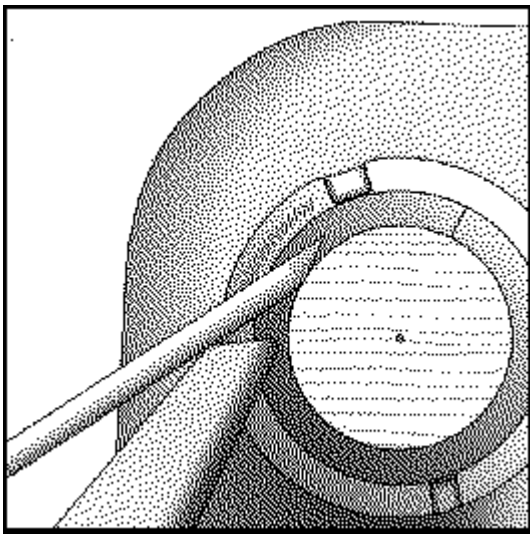
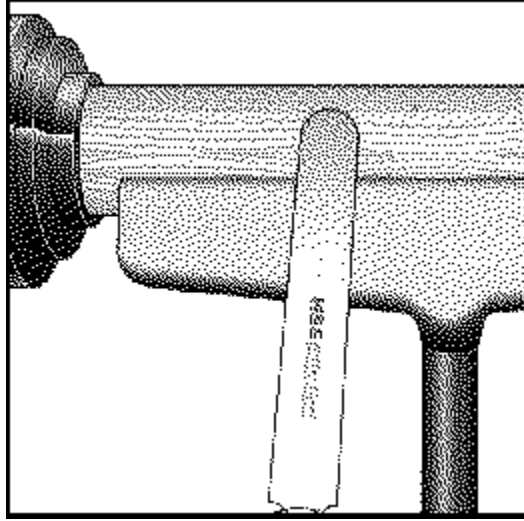
Lathe Set-up



1. Position the toolrest on or below centre height.

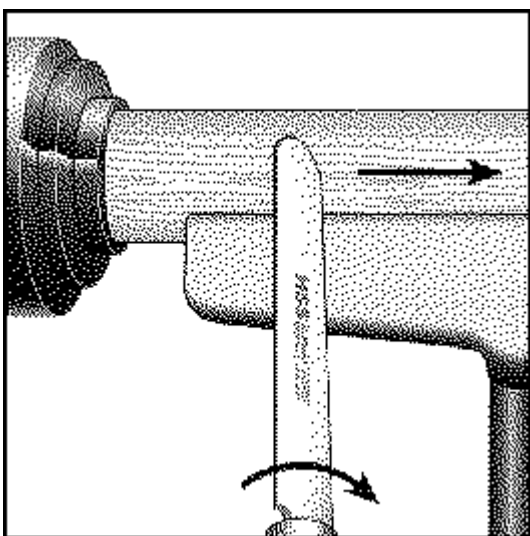
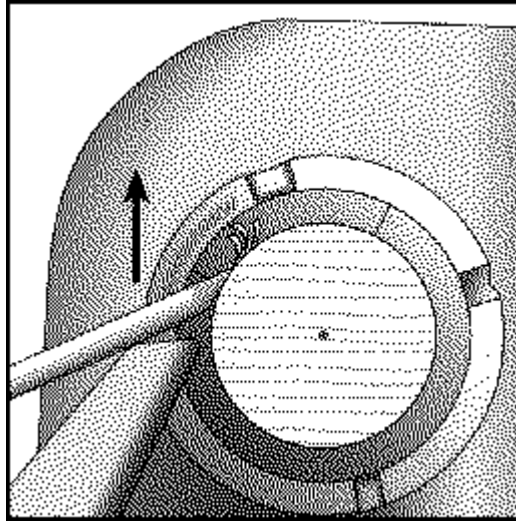
Tool-use

2. Place the Spindle master on rest with flat surface uppermost.



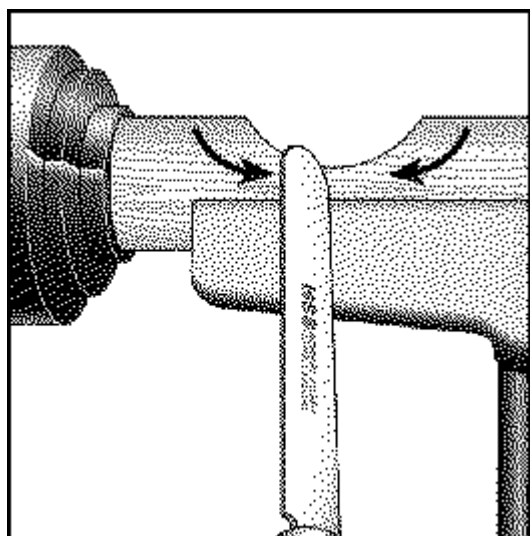
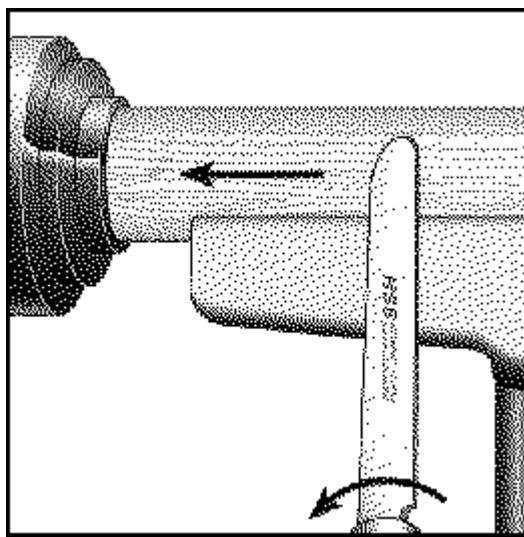
3. Approach the wood allowing the heel of the Spindlemaster to make contact.

4. Raise handle slowly until you see shavings over cutting edge. This indicates full bevel contact.



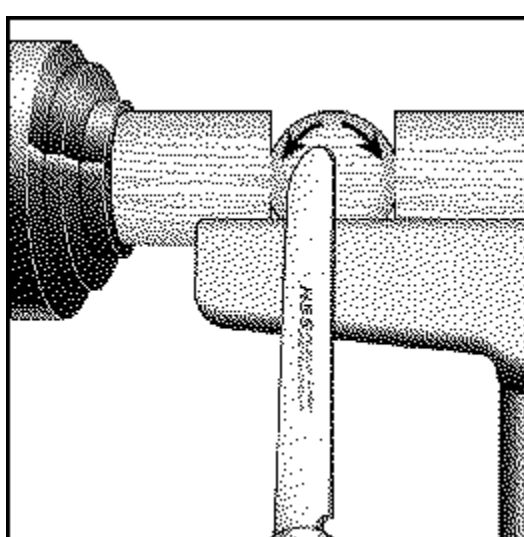
5. Maintain full bevel contact and rotate the Spindlemaster slightly in the direction of cut.

6. The Spindlemaster can be used in either direction as shown in figures 5 & 6.

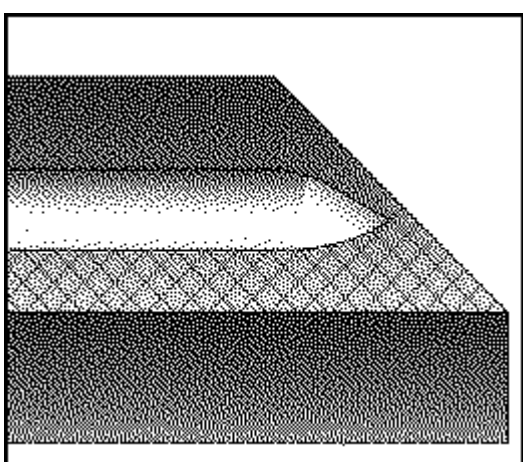


7. This produces a cove...

8. ... or a bead. A similar action can be used in trimming end grain.



Sharpening



9. Sharpen the straight face of the Spindlemaster on a flat sharpening surface.