

Charnwood

Woodworking machinery at its best!

FLOORSTANDING ROUTER TABLE MODEL: W020



CE

Charnwood, Cedar Court, Walker Road, Bardon Hill,
Leicestershire

Tel. 01530 516926 Fax. 01530 516929

email; sales@charnwood.net website; www.charnwood.net

GENERAL SAFETY RULES



WARNING: Do not attempt to operate the machine until you have read thoroughly and understood completely all instructions, rules, etc. contained in this manual. Failure to comply may result in accidents involving fire, electric shock, or serious personal injury. Keep this owner's manual and review frequently for continuous safe operation.

1. Know your machine. For your own safety, read the owner's manual carefully. Learn its application and limitations, as well as specific potential hazards pertinent to this machine.
2. Make sure all tools are properly earthed.
3. Keep guards in place and in working order. If a guard must be removed for maintenance or cleaning, make sure it is properly replaced before using the machine again.
4. Remove adjusting keys and spanners. Form a habit of checking to see that the keys and adjusting spanners are removed from the machine before switched it on.
5. Keep your work area clean. Cluttered areas and workbenches increase the chance of an accident.'
6. Do not use in dangerous environments. Do not use power tools in damp or wet locations, or expose them to rain. Keep work areas well illuminated.
7. Keep children away. All visitors should be kept a safe distance from the work area.
8. Make workshop childproof. Use padlocks, master switches and remove starter keys.
9. Do not force the machine. It will do the job better and be safer at the rate for which it is designed.
10. Use the right tools. Do not force the machine or attachments to do a job for which they are not designed. Contact the manufacturer or distributor if there is any question about the machine's suitability for a particular job.

GENERAL SAFETY RULES

11. Wear proper apparel. Avoid loose clothing, gloves, ties, rings, bracelets, and jewellery which could get caught in moving parts. Non-slip footwear is recommended. Wear protective hair covering to contain long hair.
12. Always use safety glasses. Also use face or dust mask if operation is dusty. Normal spectacles only have impact resistant lenses. They are not safety glasses.
13. Do not over-reach. Keep proper footing and balance at all times.
14. Maintain machine in good condition. Keep machine clean for best and safest performance. Follow instructions for lubrication and changing accessories.
15. Disconnect the machine from power source before servicing and when changing accessories or (if using a fixed base router) when mounting or remounting the motor.
16. To avoid accidental starting, make sure the switch is in the OFF position before plugging in the mains cable.
17. Never leave the machine running unattended. Turn the power off. Do not leave the machine until it comes to a complete stop.
18. Do not use any power tools while under the effects of drugs, alcohol or medication.
19. Always wear a face or dust mask if operation creates a lot of dust and/or chips. Always operate the tool in a well ventilated area and provide for proper dust removal. Use a suitable dust extractor.

ADDITIONAL RULES FOR ROUTER TABLE

1. Always hold the workpiece against the fence.
2. Never perform any "free hand" operation. Do not use your hands to support or guide the workpiece. Always use the screw down clamp to secure the workpiece for cutting.
3. Feed the workpiece to the router bit against the rotating direction.
4. Never draw the workpiece back during cutting. Wait until the router bit stops before drawing back the workpiece.
5. Make sure the portable router has been installed securely before starting the machine.
6. Make sure the router bit is locked securely before operating.
7. When the table is in the lifted position ALWAYS ensure that it is securely supported by BOTH struts. NEVER leave it supported by only one strut.

Specification

Main table surface		683 x 518mm
Table tilt		45°
Table inserts	external diameter	100mm
	Internal diameter	60mm
		29mm
Table height		850mm
Fence size (each side)		270 x 50mm
Dust hood outlet diameter		4"
Net weight		54kg
Gross weight		56kg

Features

Can be used with any portable router in the $\frac{3}{4}$ to 5 HP range

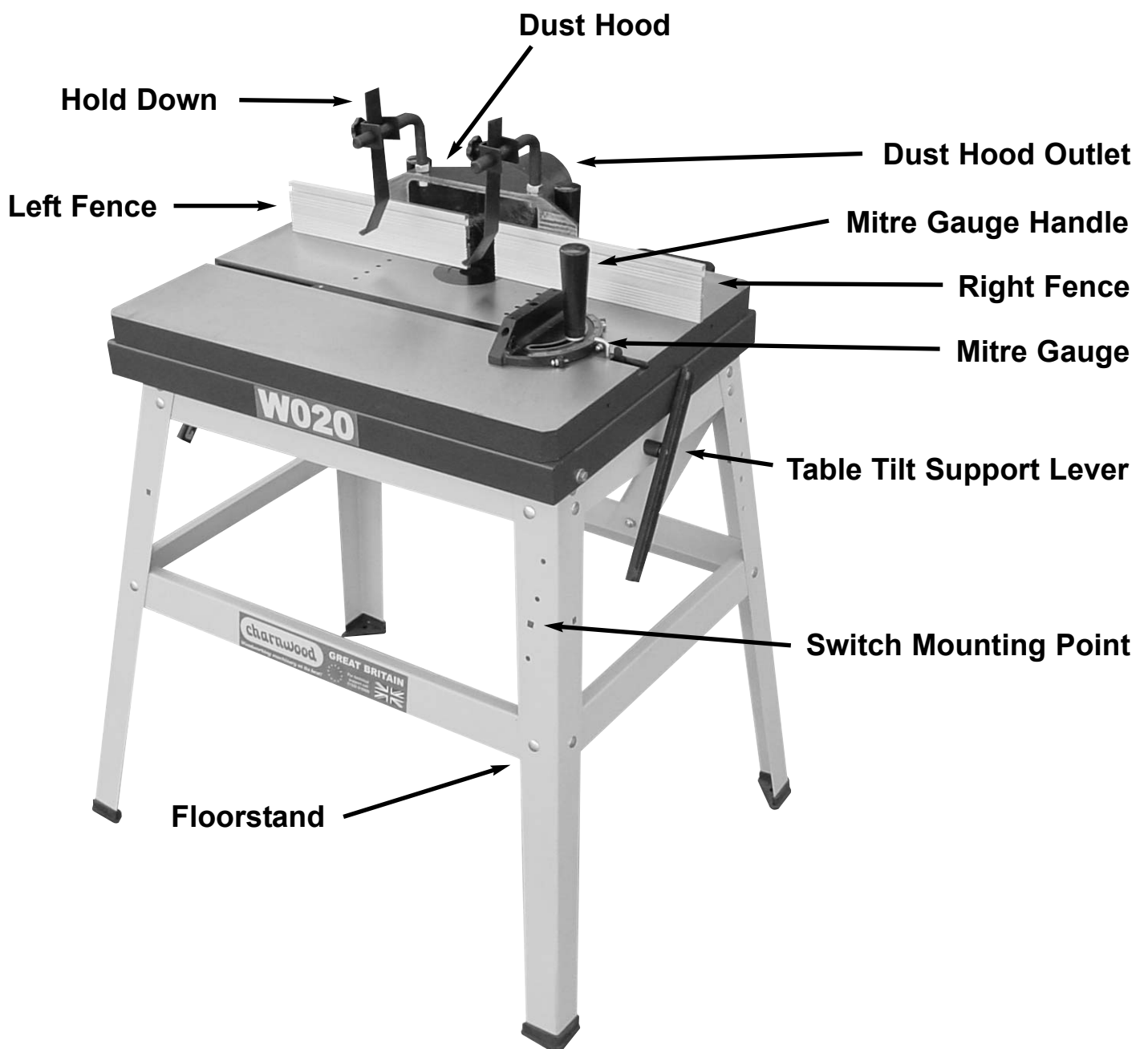
Table can be tilted to 45°

Precision ground table

Precision, split aluminium fence

Hold-downs supplied as standard

OVERVIEW OF THE ROUTER TABLE



Unpacking the Router Table

All parts are packed in one carton

Unpack the parts carefully and check that everything is present, using the parts list on page 17. If anything is missing contact your dealer immediately.

The cast iron table is coated with a layer of grease to prevent rust. This is easily removed with a soft cloth moistened with paraffin.



Warning

Do not use petrol, thinners or paint stripper to remove grease as these substances may damage the paint finish.

Assembling the Floor Stand

Important: All nuts and bolts should only be fastened finger tight until assembly is complete.

Take two legs and, ensuring that the right hand leg has a set of perforations on its front face (these holes will be used to fix the optional NVR switch if used), join them with the upper front rail. Add the lower front rail. Add the side rails and the other 2 legs. Fit the back rail and the two diagonal braces. Ensure that the upper ends are inside the legs and the lower ends outside the rail.

Fig. 1



Fit the two rubber buffers. Note that these can be adjusted in height to ensure that the table top is horizontal.

Fit the four rubber feet to the legs.

Fitting the Table to the Stand

Bolt the rectangular frame to the underside of the table.

Fix the top end of the struts to the table/frame assembly. Make sure that you use a nylox nut for security.

Fit spacers to the struts with the long bolts provided. Note that the angled faces go to the inside. Fix the handles to the table.



Fig. 2

Lift the table on to the stand (easier with 2 people), ensuring that the handles are at the same side as the diagonal braces. Fix the table to the stand with the two long bolts, spacers and nylox nuts.

Fix the lower ends of the stays to top, side rails of the stand. Leave sufficient slack between the bolt head and the spacer for the strut to slide easily. Firmly tighten the self-locking nut that fixes the strut to the rail.

Check all fixing bolts for tightness and check that the table can be easily raised and lowered. If necessary, adjust the rubber buffers so that the table top is horizontal.

Note: For your own safety NEVER leave the table in the raised position, supported by only one strut. Always engage both of them.

Assembling and Attaching the Fence

The fence consists of two precision ground aluminium sections and a dust collector. These are joined by means of a pair of T-slot bolts and nuts.

Note that the tee slot on the face plate should be at the top.



Fig. 4

The hold-downs are attached to the dust hood as shown in fig 5. Fix the fence assembly to the table top with the two conical locking handles.

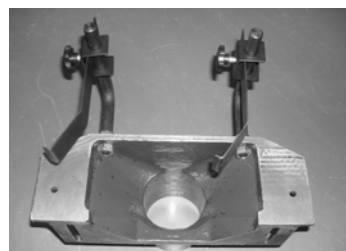


Fig 5

Fit the 2 hold-downs as shown in fig. 5.

Attach the fence to the table with the 2 black, conical handles. These screw into the cast iron section of the table (see fig. 4).

Installing your Router

Tilt the table to 45° and lock struts.

Screw each of the four clamping brackets into the underside of the table.

Offer up the router, centring the spindle in the aperture and lock it in place by tightening the brackets to the table. The small setscrews should be adjusted to suit the thickness of the router's base plate, in such a way that the surface of the bracket adjacent to the table is parallel to it.



Fig. 6

Ensure that the router is fixed securely.

NVR Switch

Bolt the NVR switch (if supplied) to the front leg of the table and use this to connect your router to the mains.

Adjusting the Fence

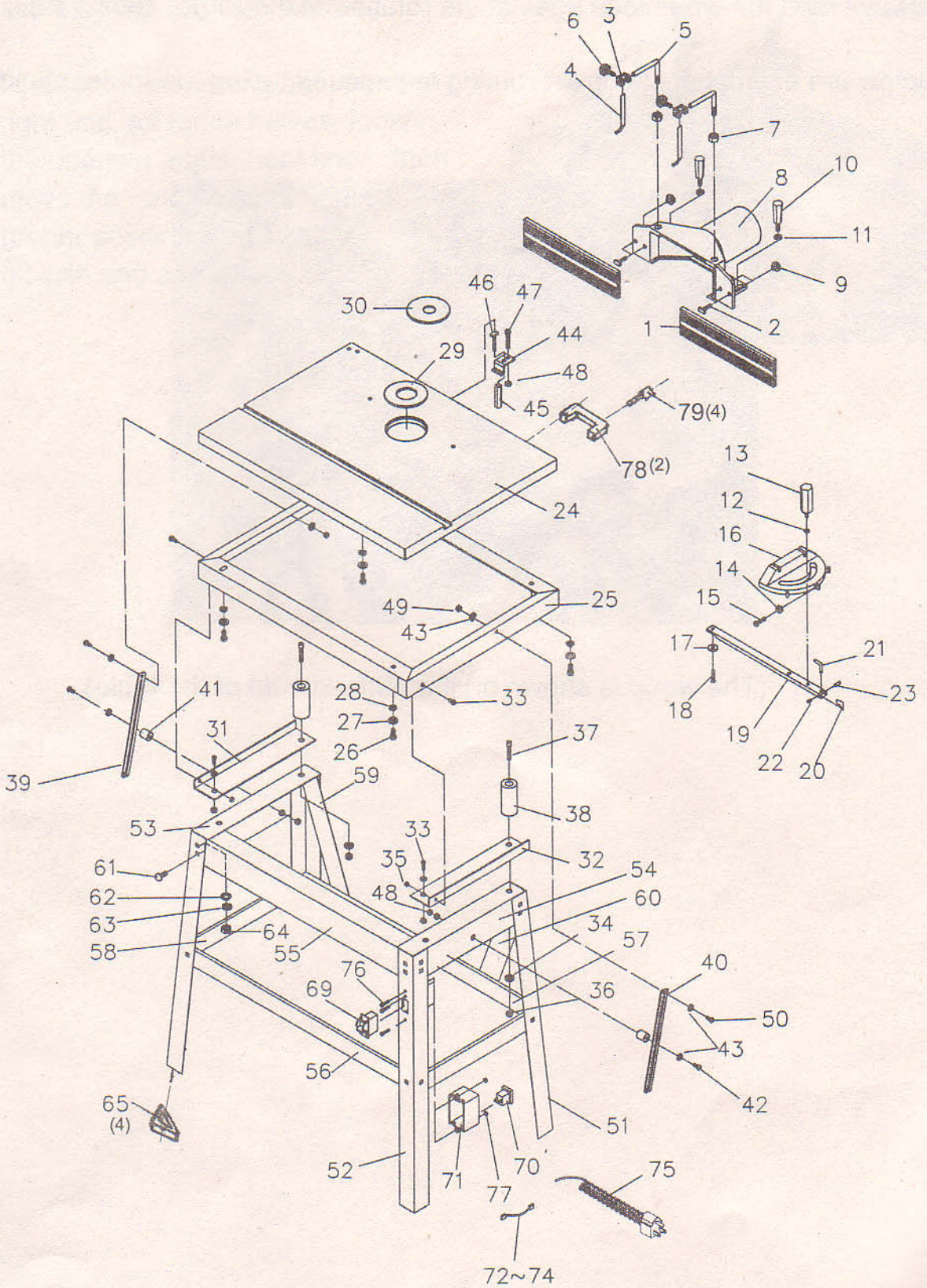
The faces of the fence can be individually adjusted by loosening the clamping knobs and moving the aluminium sections in or out to suit the diameter of the cutter.

Collet Extension

A half inch collet extension (CE12) is available to extend the plunge depth available from your router. As with all collet extensions, it should be noted that these devices add to the lateral stress applied to the router's bearings. With this in mind, it is suggested that you take light cuts when using such a device and take particular care not to force the work past the cutter.



EXPLODED DIAGRAM



CHARNWOOD W020 PARTS LIST

Part No.	Description	QTY
1	Fence Half	2
2	Sliding Screw 1/4" x 1"	2
3	Hold Down Mount	2
4	Hold Down	2
5	L Bay	2
6	Knob 5/16" x 5/8"	2
7	1/2" Hex Nut	4
8	Dust Hood	1
9	Star Knob Nut 1/4" - 20 tpi	2
10	Heavy Handle	2
11	Flat Washer 5/16"	2
12	Flat Washer 1/4"	1
13	Mitre Gauge Handle	1
14	Hex Nut 5/32"	3
15	Cross Screw 5/32" - 32 tpi	3
16	Mitre Gauge Body	1
17	Sliding Block	1
18	Screw 1/4" - 20 tpi	1
19	Guide Bar	1
20	Locating Plate	1
21	Pointer	1
22	Set Screw 1/4" - 20tpi x 1/4"	1
23	Roll Pin 3mm x 6mm	1
24	Table Top 26-7/8" x 20-3/8"	1
25	Table Frame	1
26	Hex Bolt 5/16" - 18tpi x 3/4"	4
27	Lock Washer 5/16"	4
28	Flat Washer 5/16"	4
29	Table Insert (60mm)	1
30	Table Insert (29mm)	1
31	Table Left Support	1
32	Table Right Support	1
33	Hex Bolt 5/16" - 18tpi x 1"	4
34	Flat Washer 3/8"	10
35	Hex Nut 5/16" - 18tpi	2
36	Hex Nut 3/8" - 16tpi	4
37		
38	Bumper	2
39	Left 45 degree Positioning Piece	1
40	Right 45 degree Positioning Piece	1

Part No.	Description	QTY
41	Positioning Piece	2
42	Round Head Screw 1/4" -20tpi x 1-1/2"	2
43	Flat Washer 1/4"	10
44	Motor Clamp Piece	4
45	Hexagonal Clamp Piece	4
46	Sliding Screw	4
47	Hex Bolt 1/4" - 20tpi x 1-3/4"	4
48	Hex Nut 1/4" - 20tpi	4
49	Hex Lock Nut 1/4"	4
50	Hex Bolt 1/4" - 20tpi x 3/4"	2
51	Floor Stand Leg	3
52	Front Stand Leg	1
53	Upper Left Angle Plate	1
54	Upper Right Angle Plate	1
55	Front Upper Brace	1
56	Front Lower Brace	1
57	Rear Lower Brace	1
58	Lower Side Brace	2
59	Left Bracket	1
60	Right Bracket	1
61	Carriage Bolt 5/16" - 18 tpi x 5/8"	24
62	Flat Washer 5/16"	24
63	Lock Washer 5/16"	24
64	Hex Nut 5/16" - 18tpi	24
65	Rubber Feet	4
66		
67		
68		
69	Switch (Optional Item W025)	1
70		
71		
72		
73		
74		
75		
76		
77		
78	Arched Handle	2
79	Hex Soc Head Screw M6 x 20	4