

# Operating Manual W410 Disc Sander



1. The W410 12" (300MM) Disc Sander	page 2
2. Fitting the sanding disc	page 2
3. Fitting the Flywheel and sanding disc	page 2
4. Assembling the fence	page 2
5. Spare sanding discs	page 2
6. Safety Notes	page 3
7. Parts List	page 4
8. Exploded View	page 4

## 1. The W410 12" (300mm) disc sander.

With no electrical requirement, the W410 is suitable for use anywhere; from the workshop to the garden, from the craft bench to the school, from the van to the boat.

Being hand operated makes it safe, safe for children and people of all ages but always read the safety instructions.

Our patented fence allows you to set the fence to any angle over a 90 degree range and across the width of the sanding disc. This means you can use the part of the disc that suits the work and get better life from your disc.

To help setting the fence, your W410 is supplied with a setting gauge for 45 and 90 degrees and the setting lines are printed on the table overlay.

Look after your Disc Sander by keeping it clean and changing the sanding disc when necessary and it will reward you with years of good service.

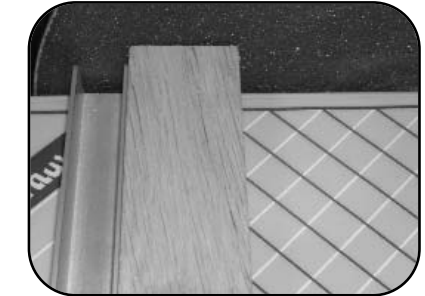


1. W410 Disc Sander

## 2. Fitting the sanding disc

You have a choice of 60 grit for roughwork, 80 grit for medium work and 120 grit for fine work.

Choose the one which suits your work, remove the backing paper, position it on the flywheel and press to activate the adhesive and remove any air locks.



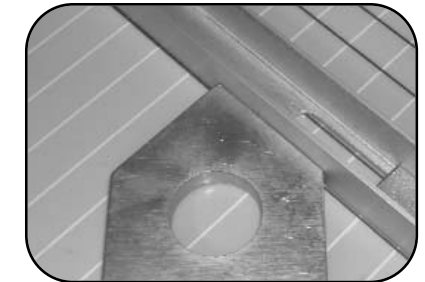
2. End Grain Sanding

## 3. Fitting the Flywheel and sanding disc

You will notice that the flywheel is fitted with a bronze bush for smooth running.

Place the flywheel, with the sanding disc in position, on the spindle attached to the machine base. Fit the small washer first and then the large washer onto the bolt and screw the bolt into the end of the spindle.

Tighten the bolt securely, making sure that the flywheel turns smoothly.



3. Angle lines

## 4. Assembling the fence

See photo 6.

The 'U' shaped fence is held in place by a fence clamp, a handle and a locking plate.

Place the fence clamp in the 'U' of the fence, over the slot. Fit the handle through the clamping strip and fence, through the slot in the table and screw into the positioning nut underneath the table.

When the handle is turned clockwise to lock the fence assembly, the nut, underneath the table, locks against the retaining strip.



4. Flywheel bronze bush

## 5. Spare sanding discs

SD25	5 pieces	60 grit
SD26	5 pieces	80 grit
SD27	5 pieces	120 grit



5. Flywheel spindle

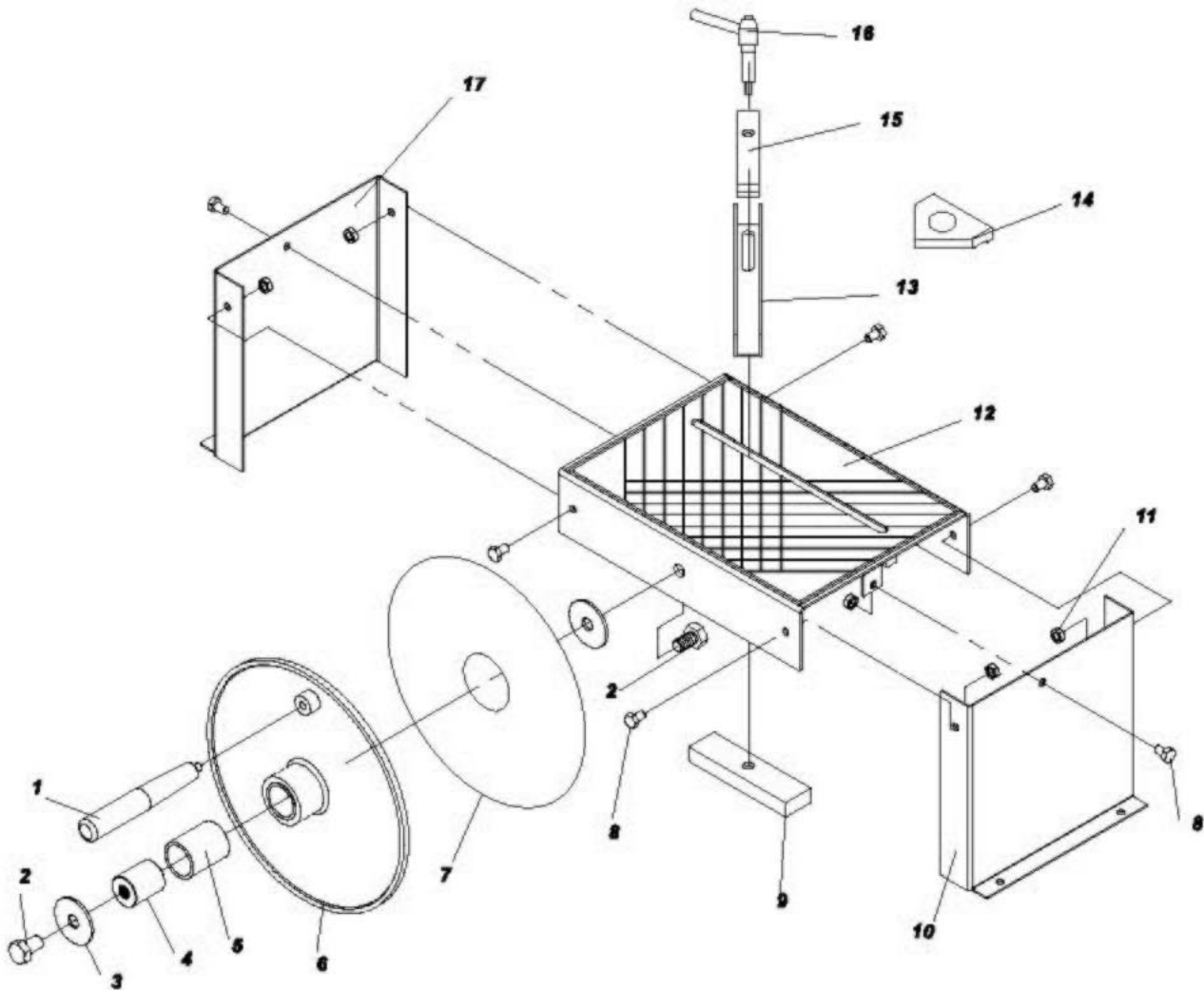


6. Handle, clamping strip & positioning nut

## 6. Safety Notes

- i. Set the angle required with the setting gauge for 45 and 90 degrees or use the setting lines as a guide. For other angles always check with a protractor.
- ii. Always keep the work surfaces clean.
- iii. Children should use the W410 only under supervision.
- iv. Keep hands and fingers away from the sanding disc
- v. Wear safety glasses
- vi. Place the disc sander on a solid surface
- vii. Never sand any material which does not have a solid surface to bear on.
- viii. Do not try to remove too much material at a time
- ix. Hold the material being sanded firmly against the fence
- x. Make sure that there are no nails or foreign objects in the surface to be sanded
- xi. Keep the surface of the sanding disc clean by using a soft rubber compound to remove sawdust from the disc.

# W410 Manual Sander Exploded View



## Parts List

		Qty		Qty	
1.	Flywheel Handle	1	10.	Table Support A	1
2.	Hexagon Screw M10 x 16	2	11.	Hexagon Nut M6	6
3.	Washer	3	12.	Work Table	1
4.	Spindle	1	13.	Fence	1
5.	Bush	1	14.	Fence Setting Piece	1
6.	Flywheel	1	15.	Fence Clamp	1
7.	Sanding Disc	1	16.	Fence Handle	1
8.	Hexagon Screw M6 x 12	6	17.	Table Support B	1
9.	Locking Plate	1			