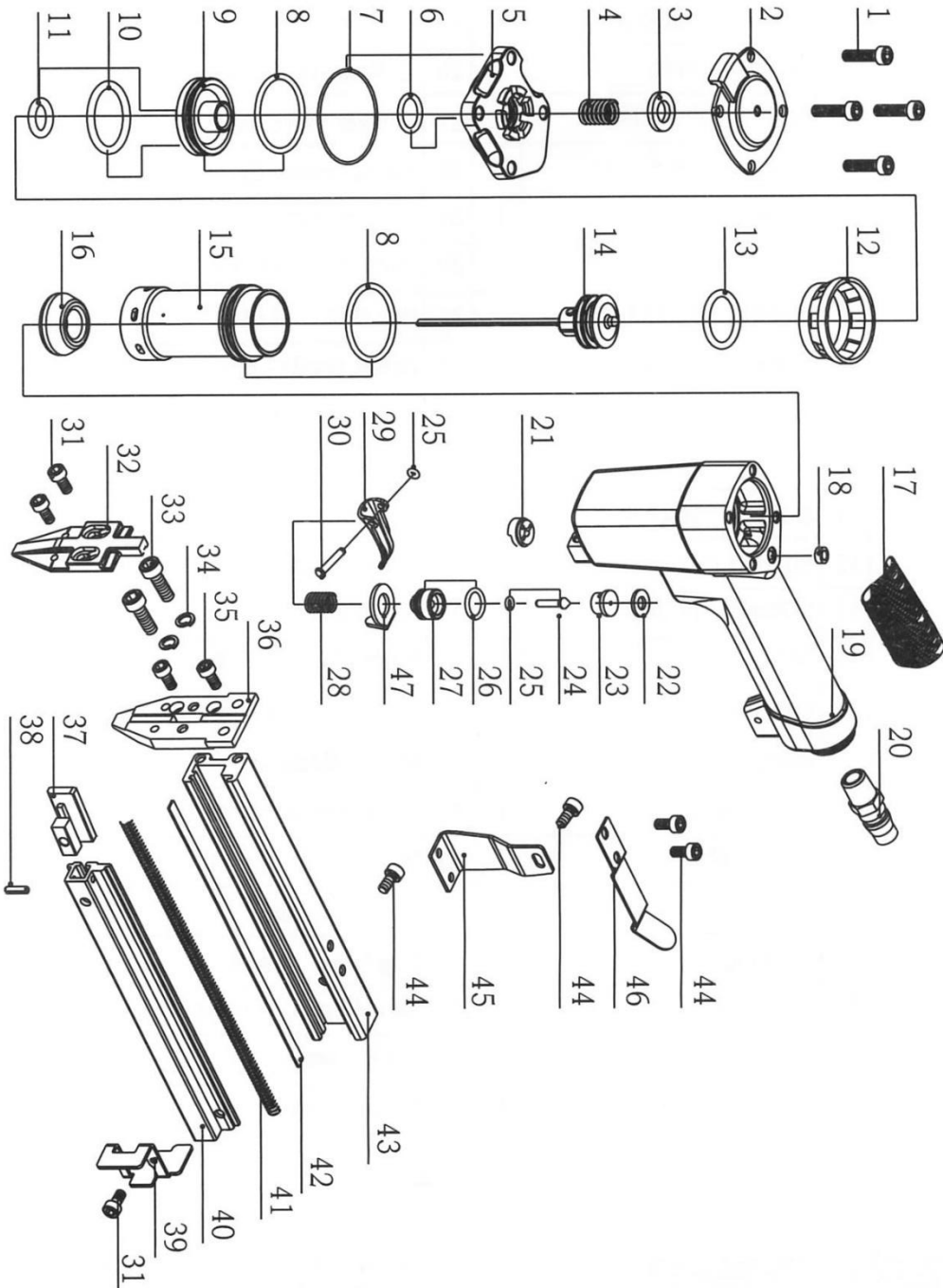




## C325 Pneumatic Tab Driver For Picture Framers



### C325 Specification

Recommended Operating Pressure Range	4-7 bar
Noise level	82db
Lubricant	Air Tool Oil
Weight (without fasteners)	0.85kg
Air Inlet	1/4" NP
Maximum Pressure	8.3bar
Tab length	15mm
Magazine capacity	300pcs
Tab Type (Flexible or Rigid)	T4 Type (15 x4.3 x 0.4mm)

**Framers Corner, Cedar Court, Walker Road,  
Bardon Hill, Leicestershire, LE67 1TU  
Tel. 01530 516 925 Fax. 01530 516 929  
email: sales@framerscorner.co.uk  
website: www.framerscorner.co.uk**

## Safety Rules

1. Know your air tool. For your own safety, read the owner's manual carefully. Learn its application and limitations, as well as specific potential hazards pertinent to this tool.
2. Keep your work area clean. Cluttered areas and workbenches increase the chance of an accident.
3. Do not use in dangerous environments. Do not use air tools in damp or wet locations, or expose them to rain. Keep work areas well illuminated.
4. Keep children away. All visitors should be kept a safe distance from the work area.
5. Wear proper apparel. Avoid loose clothing, gloves, ties, rings, bracelets, and jewellery which could get caught in moving parts. Non-slip footwear is recommended. Wear protective hair covering to contain long hair.
6. Always use safety glasses. Normal spectacles only have impact resistant lenses. They are not safety glasses.
7. Do not over-reach. Keep proper footing and balance at all times.
8. Maintain the machine in good condition. Keep the machine clean for best and safest performance. Follow instructions for lubrication.
9. Disconnect the machine from the air supply before servicing.
10. Do not use any power tools while under the effects of drugs, alcohol or medication.
11. When operating for long periods, use ear protection equipment.
12. Always leave the trigger lock in place when the tool is not in use.



Wear Ear  
Protection



Wear Eye  
Protection

## Operating Instructions

**Air supply:** Clean, dry air is essential for trouble free working. Ensure the compressor is fitted with a pressure regulator and a lubricator containing a suitable oil. Set the pressure on the regulator between 4 and 7 bar.

**Loading Tabs:** Disconnect the air supply. Open the magazine cover by lifting the spring clip at the end of the cover. Pull back the cover and Insert a full strip of T4 type tabs with the pointed end towards the nose of the driver. Close the magazine cover.



**Insert a Tab:** Connect the air supply using a suitable hose and quick action fitting. Hold the tool firmly, always pointing away from the operator. Press the nose up against the rebate of the picture frame. Rotate the trigger lock to activate the trigger. Use the little finger to press the trigger. The tab driver will cycle and drive 1 tab in the frame, to a depth of approximately 7mm. Pull the driver away from the inserted tab and move to the next position.

## Maintenance



**Misfire or Jam:** Disconnect from the air supply. Open the magazine cover and check if there any tabs present (If the magazine is empty, just re-load). Remove the strip of tabs. Using the 3mm hex key provided, loosen the 2 screws which secure the nose cover. Slide the cover over the screw heads, remove any jammed tabs. Refit the nose cover and tighten the screws.

**Lubrication:** If the compressor does not have a lubricator, it is important to put 2 drops of the supplied oil into the air intake each day before use. Be aware: over lubricating will damage the O-rings.

**Air Leak:** If an air leak can be heard or the tab driver is not performing sufficiently, it is most likely that there is an air leak caused by a worn or damaged O-ring. A set of replacement O-rings is provided with the tool. Only a person with some technical knowledge should attempt to find the leak and fit new O-rings.

## CE Marking

Framers Corner declare that Air Nailer Model C325 conforms with the Machinery Directive 2006/42/EC. And further conforms to the machinery example for which the EC type examination Certificate No. AM 50415473 has been issued by TUV Rheinland LGA Products GmbH, Tillystrasse 2, 90431 Nurnberg, Germany.