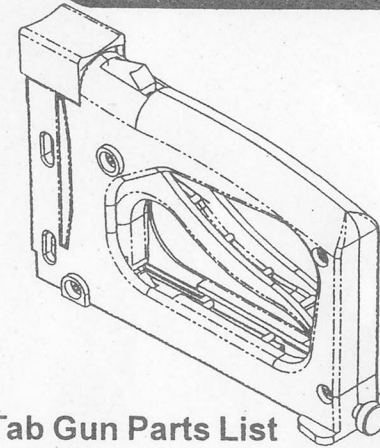
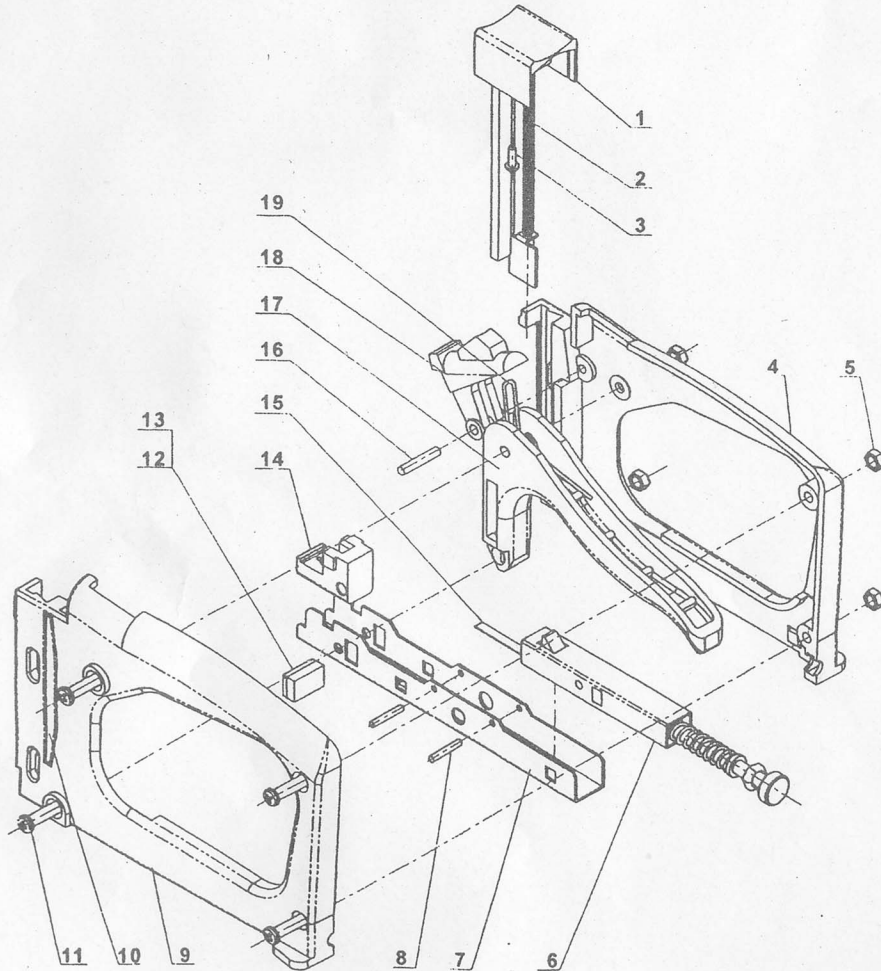


**T220 Tab Gun  
Parts Drawing and Parts List**



**T220 Tab Gun Parts List**



- 1 Slider Knob
- 2 Spring Loaded Top Pressure Unit
- 3 No.6 Self Tapping Screw
- 4 Right Hand Body
- 5 M4 Nut(4 off)
- 6 Driver Holder Unit
- 7 Base
- 8 22mm x 2.5mm Diameter Pins(2)
- 9 Left Hand Body
- 10 Colour Strip
- 11 M4 x 22mm Screw(4 off)
- 12 Cushion Plate
- 13 Cushion
- 14 Nose Piece
- 15 Driver
- 16 22 x 4.5mm Diameter Pin
- 17 Hand Lever
- 18 Spring Release Knob
- 19 Spring