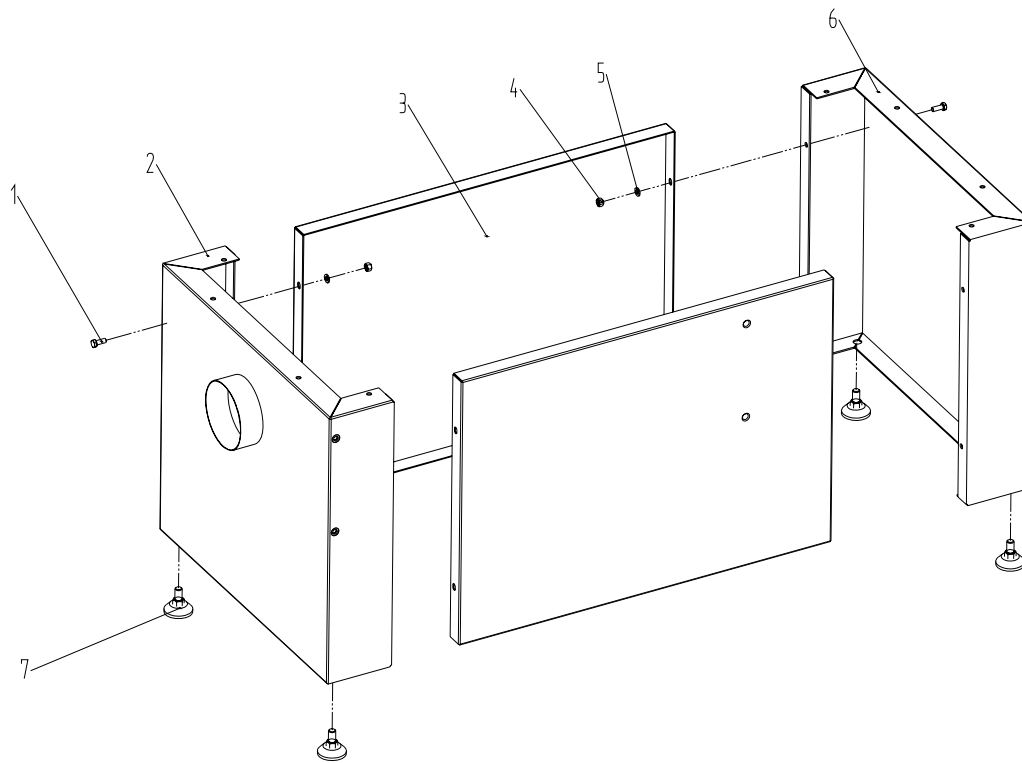


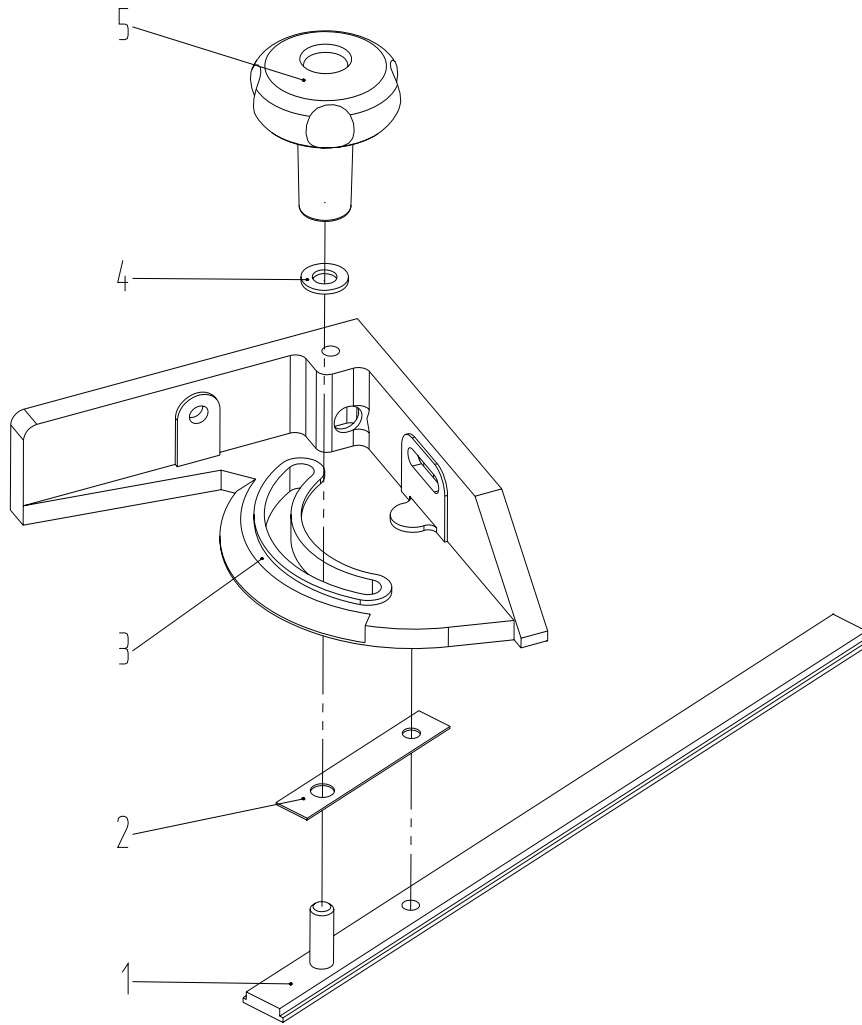
SAW&MOULDING LOWER STAND ASSEMBLY



PARTS LIST FOR SAW&MOULDING LOWER STAND ASSEMBLY

NO .	CODE	DESCRIPTIO N	QT Y	NO .	CODE	DESCRIPTIO N	QT Y
1	GB5783-86	Hex bolt M6X16	8	2	K29	Right support leg	1
3	K30	Middle leg	2	4	GB6170-86	Hex nut M6	8
5	GB97.1-85	Washer ϕ 6	8	6	K28	Left support leg	1
7	M0613	Underprop	4				

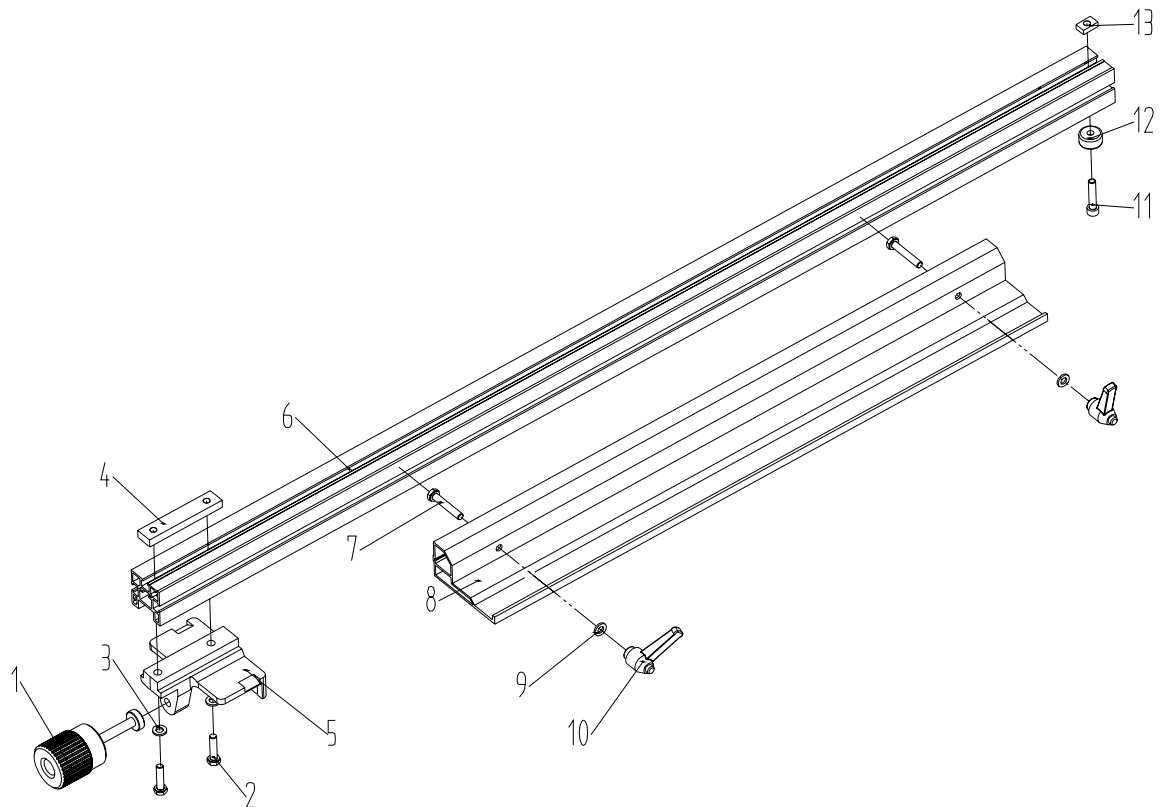
SAW MITER GAUGE ASSEMBLY



PARTS LIST FOR SAW MITER GAUGE ASSEMBLY

NO.	CODE	DESCRIPTION	QTY	NO.	CODE	DESCRIPTION	QTY
1	K0603	T-shaped plate	1	2	K0605	Saucer	1
3	K0601	Miter gauge	1	4	GB97.1-85	Washer $\phi 8$	1
5	K0602	Long handle	1			Left support leg	

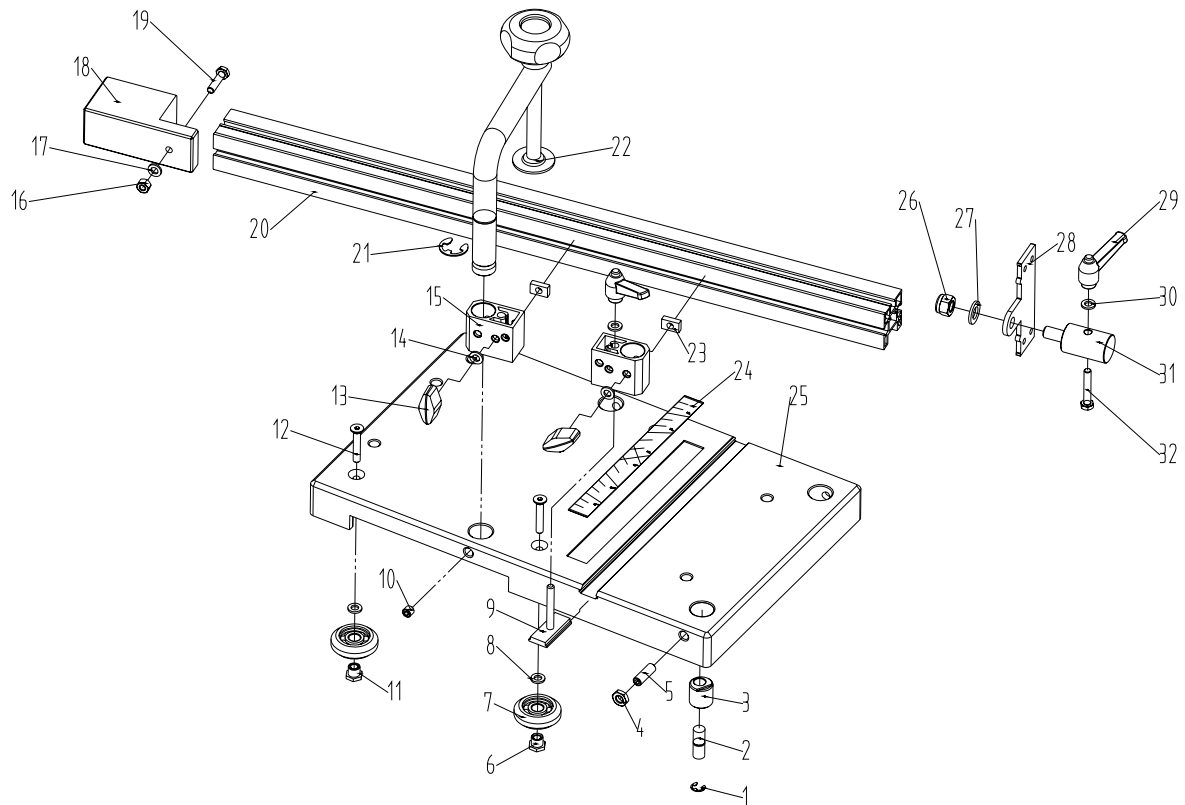
SAW FENCE ASSEMBLY



PARTS LIST FOR SAW FENCE ASSEMBLY

NO .	CODE	DESCRIPTIO N	QT Y	NO .	CODE	DESCRIPTIO N	QT Y
1	K0501	Locking handle	1	2	GB5783-8 6	Hex bolt M6X25	2
3	GB97.1-85	Washer ϕ 6	2	4	K0504	Fixing plate	1
5	K0503	Locking bracket	1	6	K0506	Long fence	1
7	GB5783-8 6	Hex bolt M6X35	2	8	K0505	right-angle fence	1
9	GB97.1-85	Washer ϕ 6	2	10	K0102	Small handgrip	2
11	GB70-85	Socket cap screw M6X30	1	12	K0507	Rubber tray	1
13	K0108	Square toes nut	1				

SAW SLIDING TABLE ASSEMBLY(SAW)

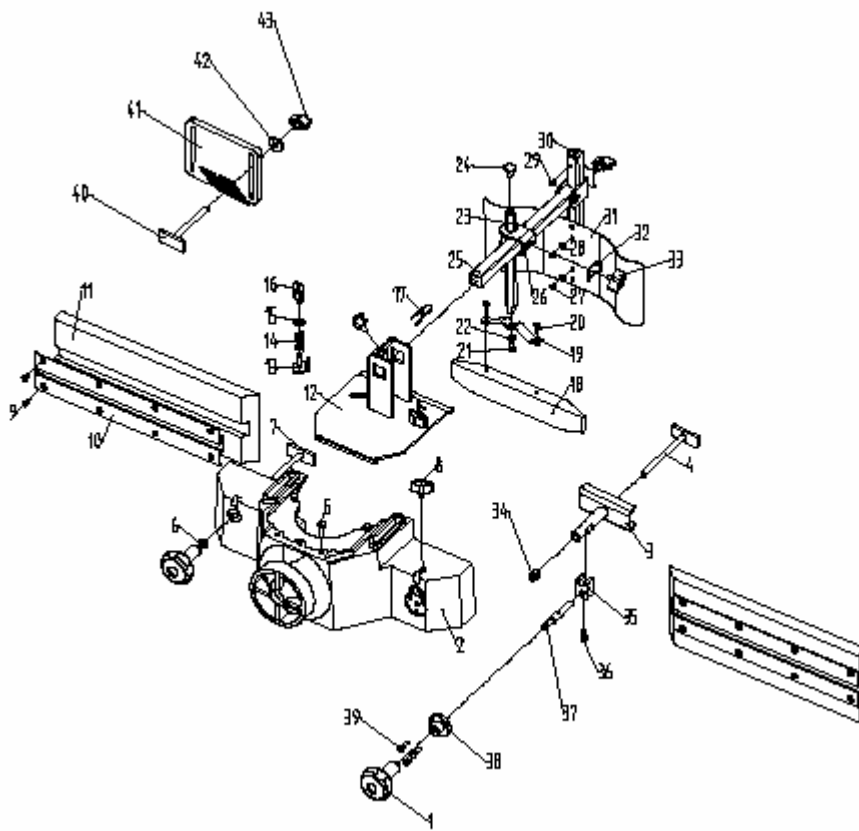


PARTS LIST FOR SAW SLIDING TABLE ASSEMBLY(SAW)

NO .	CODE	DESCRIPTIO N	QT Y	NO .	CODE	DESCRIPTIO N	QT Y
1	K0105	C-shaped ring	1	2	K0104	sliding axle	1
3	K0103	Eccentric bush	1	4	GB6172-86	Hex thin nut M8	1
5	GB77-85	Set screw M8X25	1	6	K0118	Eccentric nut	2
7	K0117	Trolley	4	8	GB97.1-85	Washer ϕ 6	4
9	K0112	T-shaped bolt	1	10	GB78-85	Set screw M8X10	1
11	K0120	Homocentric nut	2	12	CTLS	Socket countersunk screw M6X35	4
13	K0107	Rhombic handgrip	2	14	GB97.1-85	Washer ϕ 6	3
15	K0113	Connecting block	2	16	GB6170-86	Hex nut M6	1
17	GB97.1-85	Washer ϕ 6	1	18	K0113	wood block	1
19	GB5783-86	Hex bolt M6X25	1	20	K0106	Angle fence	1

21	GB896-86	“E” ring ϕ 16	1	22	K0115	Press handle	1
23	K0108	Square toes nut	2	24	K0119	Angle.ruler	1
25	K0109	Sliding table	1	26	ZSM10	Locking nut M10	1
27	GB97.1-85	Washer ϕ 10	1	28	K0111	Turing plate	1
29	K0102	Small handgrip	2	30	GB97.1-85	Washer ϕ 6	1
31	K0101	Locating pole	1	32	GB5783-8 6	Hex bolt M6X35	1

MOULDING EXHAUSTION SOCKET ASSEMBLY

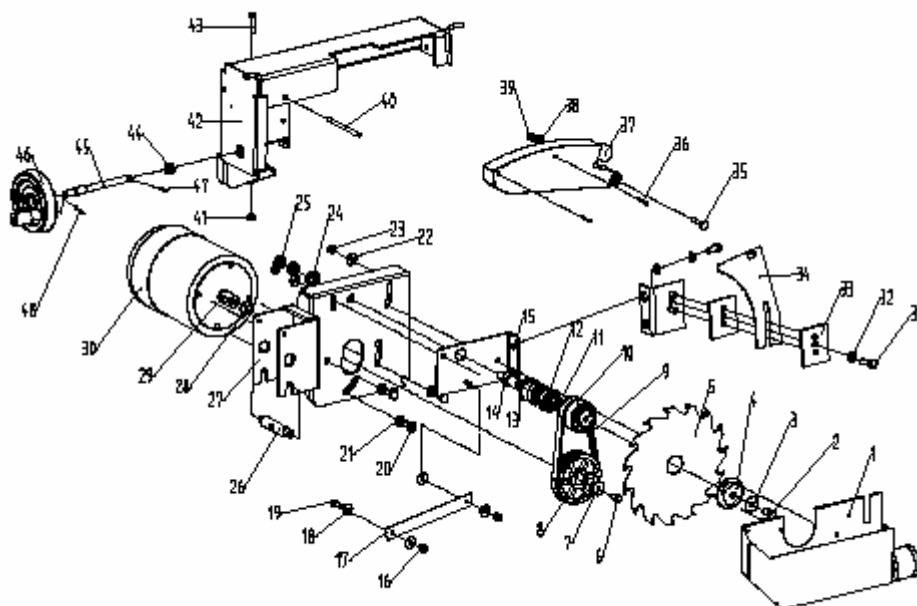


PARTS LIST FOR MOULDING EXHAUSTION SOCKET ASSEMBLY

NO .	CODE	DESCRIPTIO N	QT Y	NO .	CODE	DESCRIPTIO N	QT Y
1	K0602	Long handle	2	2	K0316	Exhaust socket	1
3	K0321	Guide rack	1	4	K0322	Long T-shaped bolt	1
5	GB819-85	Screw M6X10	4	6	GB97.1-85	Washer ϕ 8	1
7	K0320	Short T-shaped bolt	1	8	K0313	Rhombic handgrip	2

9	CZG	Screw M4X12	16	10	K0309	T-shaped rail	2
11	K0308	Horizontal wood broad	2	12	K0315	Turing rack	1
13	K0318	Locking sheet metal	2	14	K0319	Spring	2
15	GB97.1-85	Washer ϕ 8	2	16	K0317	Rhombic handgrip	2
17	K0314	Saucer	2	18	K0307	Horrent wood broad	1
19	K0312	M-shaped plate	1	20	PZG	Screw M4X16	2
21	GB5783-86	Hex bolt M5X12	1	22	GB97.1-85	Washer ϕ 5	1
23	K0305	Hexangular leader	1	24	GB/T794-88	Bolt M8X10	1
25	K0310	Square leader assembly	1	26	K0306	Capstan	1
27	GB818-85	Screw M4X6	2	28	GB97.1-85	Washer ϕ 4	2
29	GB818-85	Screw M4X6	1	30	K0302	Standpipe	1
31	K0304	Spring protective broad	1	32	K0311	Locking patch	2
33	K0301	Rhombic handgrip	2	34	GB923-88	Domed cap nut M8	1
35	K0323	Riding plate	1	36	GB70-85	Socket cap screw M6X10	1
37	K0324	Screw pole	1	38	K0325	Fixing block	1
39	GB5783-86	Hex bolt M5X16	3	40	K0326	ShoT-shaped bolt	1
41	K0327	Anti-kick board	1	42	GB97.1-85	Washer ϕ 8	1
43	K0313	Rhombic handgrip	1				

SAW UNIT ASSEMBLY

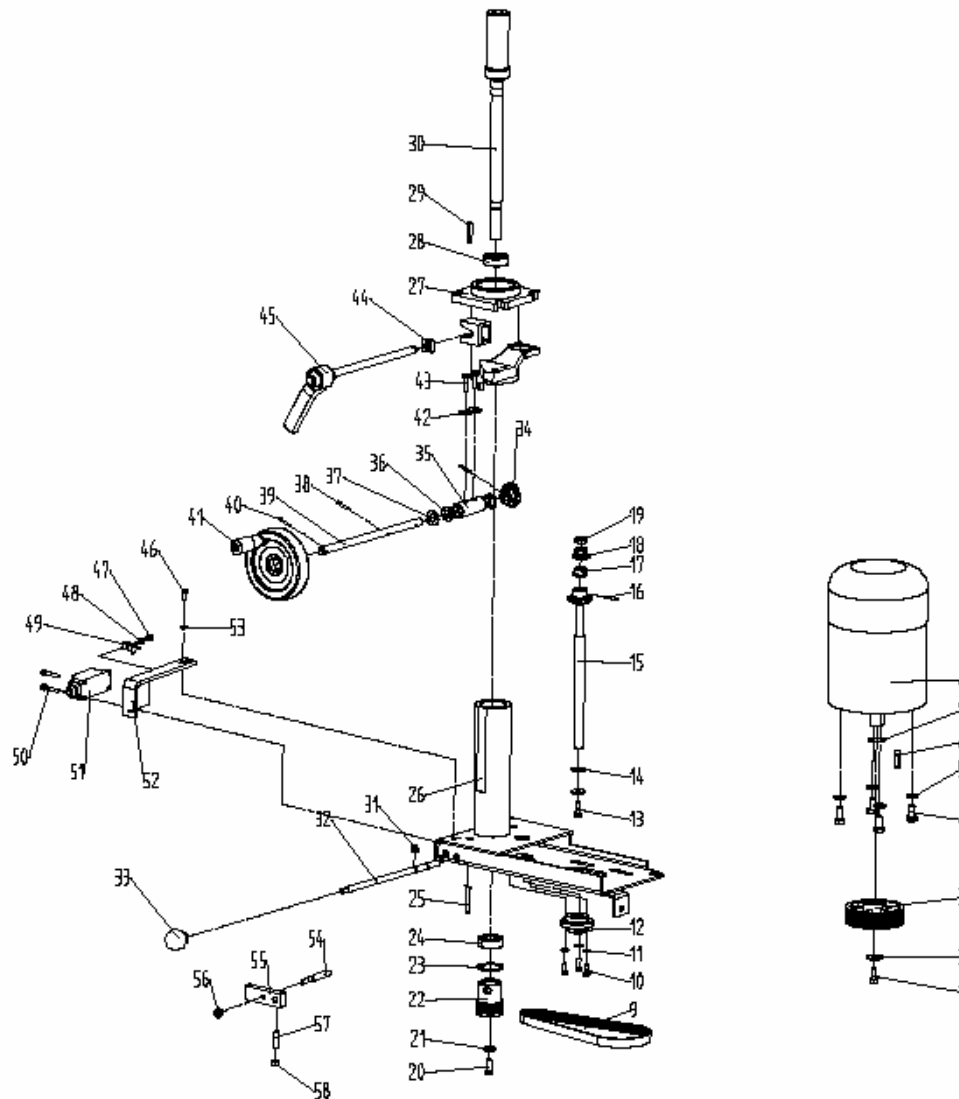


PARTS LIST FOR SAW UNIT ASSEMBLY

NO .	CODE	DESCRIPTIO N	QT Y	NO .	CODE	DESCRIPTIO N	QT Y
1	K0707	Dust collector	1	2	GB5783-86	Hex bolt M8X16	1
3	GB96-85	Large washer ϕ 8	1	4	K0708	Platen	1
5		saw blade	1	6	GB5783-86	Hex bolt M6X16	1
7	GB5287-85	Very large washer ϕ 6	1	8	K0710	Motor pulley	1
9	5PJ410	Cuneal belt	1	10	K0709	Driven pulley	2
11	GB894.1-86	"C"ring ϕ 15	1	12	GB/T276-94	Bearing 6202	2
13	GB893.1-86	"C"ring ϕ 35	1	14	K0711	Saw axis	1
15	K0712	Parallel plate	1	16	ZSM6	Locking nut M6	2
17	K0713	Connecting plate	1	18	GB96-85	Large washer ϕ 6	4
19	GB5783-86	Hex bolt M6X16	1	20	GB5783-86	Hex bolt M8X16	3
21	GB97.1-85	Washer ϕ 8	3	22	GB96-85	Large washer ϕ 6	2

23	ZSM6	Locking nut M6	2	24	GB97.1-85	Washer ϕ 12	1
25	GB6172-8 6	Hex thin nut M12	2	26	K0703	Turning pole	1
27	K0702	Motor rack	1	28	GB894.1-8 6	“C”ring ϕ 19	1
29	GB1096-7 9	Key 6X25	1	30	K0714	Motor	1
31	GB5783-8 6	Hex bolt M8X25	1	32	GB97.1-85	Washer ϕ 8	1
33	K0706	Clamp plate	2	34	K0705	Riving wedge	1
35	GB/T794-8 8	Bolt M6X30	1	36	PZGS	Screw M3X20	2
37	K0715	Exterior dust collector	1	38	GB97.1-85	Washer ϕ 6	1
39	ZSM6	Locking nut M6	1	40	GB879-86	Spring pin 6X85	1
41	GB6170-8 6	Hex nut M6	1	42	K0701	Turning support	1
43	GB5783-8 6	Hex bolt M6X30	1	44	ZSM10	Locking nut M10	1
45	K0704	Bolt shaft	1	46	K20	Hand wheel	1
47	GB879-86	Spring pin 3X16	1	48	GB879-86	Spring pin 3X25	1

MOULDING SPINDLE UNIT ASSEMBLY



PARTS LIST FOR MOULDING SPINDLE UNIT ASSEMBLY

NO .	CODE	DESCRIPTIO N	QT Y	NO .	CODE	DESCRIPTIO N	QT Y
1	GB5783-86	Hex bolt M6X16	1	2	GB5287-85	Very large washer ϕ 6	1
3	K0710	Motor pulley	1	4	GB5783-86	Hex bolt M8X16	4
5	GB97.1-85	Washer ϕ 8	4	6	GB1096-79	Key 6X25	1
7	GB894.1-8	"C"ring ϕ 19	1	8	K1006	Motor	1

	6						
9	5PJ520	Cuneal belt	1	10	GB5783-86	Hex bolt M5X12	3
11	GB97.1-85	Washer ϕ 5	3	12	K1003.1	Nut bush	1
13	GB5783-8 6	Hex bolt M6X16	1	14	GB96-85	Large washer ϕ 6	2
15	K1005	Bolt shaft	1	16	GB879-86	Spring pin 3X20	2
17	K19	Bush	1	18	GZZC	Flat bearing	1
19	GB6172-8 6	Hex thin nut M10	2	20	GB5783-86	Hex bolt M6X16	2
21	GB96-85	Large washer ϕ 6	1	22	K1007	Driven pulley	1
23	GB893.1-8 6	"C"ring ϕ 35	1	24	GB/T276-9 4	Bearing 6202	1
25	K1004	Spring clip	1	26	K1003	Motor rack	1
27	K1002	Oriented stand	1	28	GB/T276-9 4	Bearing 6003	1
29	GB1096-7 9	Key 5X30	1	30	K1001	Spindle	1
31	GB896-86	"E"ring ϕ 6	1	32	K1012	Locking pole	1
33	BSH7526	Handball	1	34	K1008	Cone gear	1
35	K1010	Bearing bush	1	36	K19	Bush	2
37	GB97.1-86	Washer ϕ 10	1	38	GB879-86	Spring pin 3X20	1
39	K1011	Turning shaft	1	40	GB879-86	Spring pin 3X25	1
41	K20	Hand wheel	1	42	GB96-85	Large washer ϕ 6	2
43	GB5783-8 6	Hex bolt M6X16	2	44	GB39-88	Square toes nut M10	1
45	K1009	Locking pole	1	46	GB5783-86	Hex bolt M5X10	2
47	GB819-85	Screw M4X6	1	48	GB97.1-85	Washer ϕ 4	1
49	K1014	pointer	1	50	GB819-85	Screw M4X25	4
51	WDKG	Inching switch	1	52	K1015	Supporting plate	1
53	GB97.1-85	Washer ϕ 5	2	54	K1016	Guiding pole	1
55	K1017	Locking plate	1	56	GB6170-86	Hex nut M6	1
57	GB77-85	Set screw M6X25	1	58	GB6170-86	Hex nut M6	1

17	K3605	Turning pole	1	18	K3604	Bracket	1
19	M0720	Bush	1	20	GB819-85	Screw M5X12	2
21	GB97.1-85	washer ϕ 5	2	22	ZSM5	Locking nut M5	2
23	GB70-85	Socket cap screw M8X10	1	24	GB97.1-85	washer ϕ 8	1
25	GB6170-86	Hex nut M8	1	26	K01	Sliding table assembly	1
27	K13	Guide rail	1	28	K14	Locating block	2
29	GB5783-86	Hex bolt M6X16	4	30	K15	Rail support	2
31	GB97.1-85	washer ϕ 8	4	32	GB5783-86	Hex bolt M8X10	2
33	GB96-85	large washer ϕ 6	4	34	GB6170-86	Hex nut M6	4
35	GB6170-86	Hex nut M6	8	36	GB96-85	large washer ϕ 6	8
37	K1617	Supporting plate	4	38	GB/T794-88	Screw M6X12	8
39	GB/T794-88	Screw M6X12	8	40	GB97.1-85	washer ϕ 6	8
41	GB6170-86	Hex nut M6	8	42	GB923-88	Domed cap nut M6	1
43	GB97.1-85	washer ϕ 6	1	44	GB96-85	large washer ϕ 6	1
45	GB5783-86	Hex bolt M6X12	1	46	K18	Saw faceplate	1
47	GB96-85	large washer ϕ 6	3	48	GB6170-86	Hex nut M6	3
49	GB818-85	Screw M6X16	3	50	GB97.1-85	washer ϕ 6	3
51	K2102	Locking handle	1	52	GB867-86	Rivet 3X12	1
53	K2103	Locking pole	1	54	GB96-85	large washer ϕ 8	1
55	K22	Space bush	1	56	K07	Saw assembly	1
57	GB97.1-86	washer ϕ 8	3	58	ZSM8	Locking nut M8	1
59	GB96-85	large washer ϕ 6	2	60	ZSM6	Locking nut M6	2
61	K33	Locking plate	1	62	GB5783-86	Hex bolt M6X16	8
63	GB97.1-85	washer ϕ 6	8	64	GB6170-86	Hex nut M6	8

65	ZGKG	Transition switch	1	66	GB97.1-85	washer ϕ 6	6
67	GB818-85	Screw M6X10	6	68	GB818-85	Screw M6X16	4
69	GB97.1-85	washer ϕ 6	4	70	K18	Moulding faceplate	1
71	KJD12	Switch	2	72	GB96-85	large washer ϕ 6	4
73	GB6170-86	Hex nut M6	4	74	K27-2	Stand	1
75	ZSM6	Locking M6	5	76	GB96-85	large washer ϕ 6	5
77	NCM	Socket countersunk screw M6X45	5	78	GB6170-86	Hex nut M6	8
79	GB96-85	large washer ϕ 6	8	80	NCM	Socket countersunk screw M6X60	8
81	ZSM8	Locking nut M8	4	82	GB97.1-85	washer ϕ 8	4
83	K10	Moulding assembly	1	84	K34	Table	1
85	GB6170-86	Hex nut M6	4	86	GB96-85	large washer ϕ 6	4
87	GB5783-86	Hex bolt M6X16	4	88	K04	Supporting plate	4
89	K09	Vertical fence	1	90	ZSM6	Locking nut M6	4
91	GB97.1-85	washer ϕ 6	4	92	K32	Press block	2
93	K12	Pointer	1	94	GB97.1-85	washer ϕ 4	1
95	WCDQ	Dentation washer ϕ 4	1	96	GB818-85	Screw M4X6	1
97	K06	Angle ruler	1	98	NCM	Socket countersunk screw M6X30	4
99	NCM	Socket countersunk screw M6X10	4	100	K31	Protective plate	1
101	NCM	Socket countersunk screw M6X45	2	102	NCM	Socket countersunk screw M8X30	4
103	K05	Fence assembly	1	104	GB97.1-85	washer ϕ 8	2
105	ZSM8	Locking nut	2	106	GB6170-8	Hex nut M8	2

		M8			6		
107	K02	Locking handle	2	108	K03	Exhaustion socket assembly	1
109	K09	Vertical fence	1	110	GB96-85	large washer ϕ 8	1
111	GB70-85	Socket cap screw M8X25	1	112	K11	Extending table	1
113	GB5783-86	Hex bolt M6X16	4	114	GB96-85	large washer ϕ 6	4
115	GB6170-86	Hex nut M6	4	116	C06	right-angle	4
117	GB97.1-85	Washer ϕ 6	8	118	GB5783-86	Hex bolt M6X16	8