

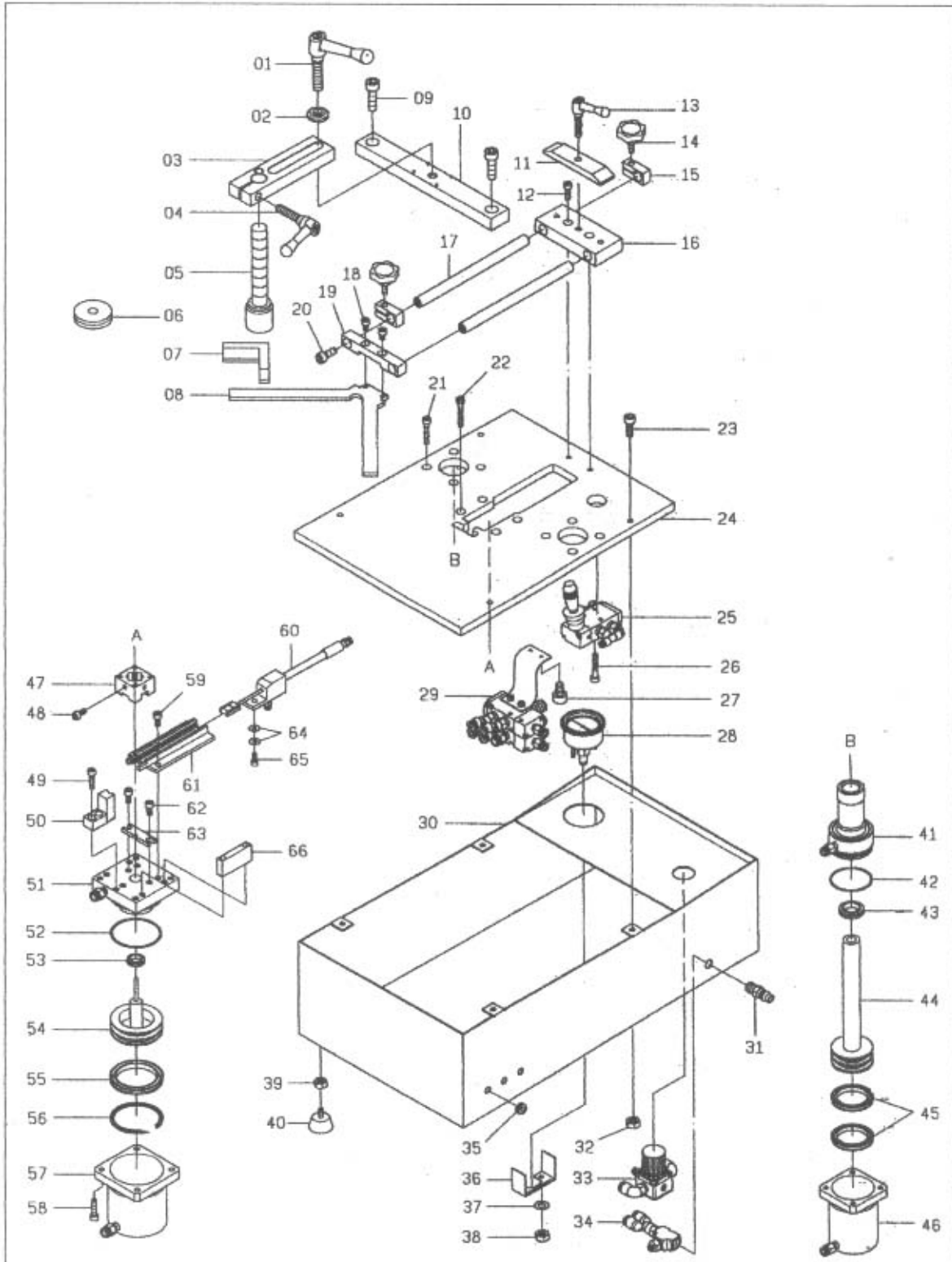
FRAMERS CORNER Tpb Pneumatic Underpinner

Parts List – see Figure 1, page 5

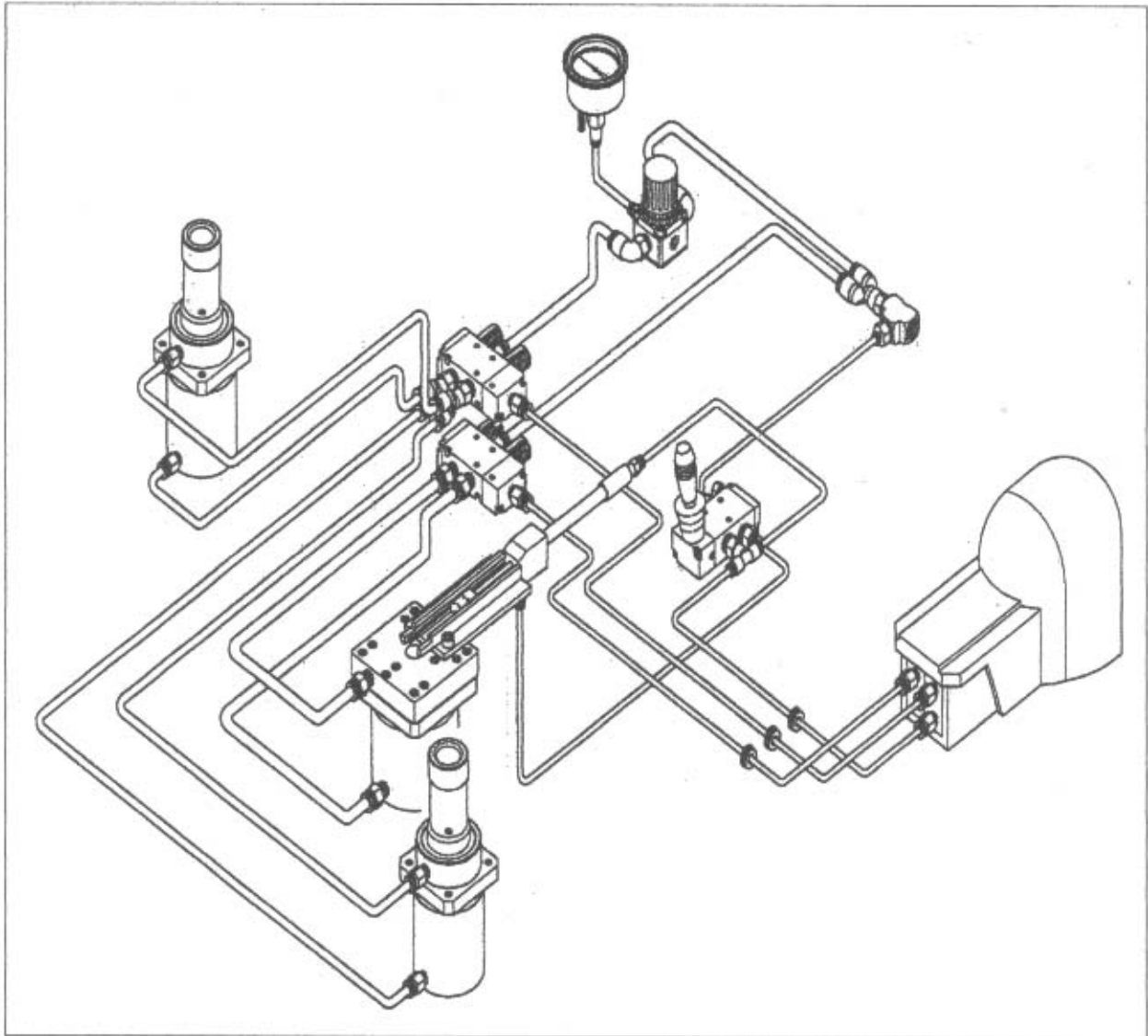
<i>Part No.</i>	<i>Item</i>	<i>Part No.</i>	<i>Item</i>
1	Locking Handle	34	Air Connector, 3 way
2	Washer	35	Grommet
3	Horizontal Block	36	Bracket for Pressure Gauge
4	Locking Handle	37	Washer
5	Vertical Pressure Bar	38	Nut
6	Round Pad	39	Nut
7	Angled Pad	40	Foot
8	Fence	41	Cylinder Bush
9	Bridge Screws (2)	42	'O' Ring
10	Bridge	43	Seal
11	Fence Clamp	44	Piston Rod
12	Fence Screws (2)	45	Seal
13	Locking Handle	46	Cylinder
14	Production Stop Handle	47	Magazine Head
15	Production Stop	48	Locking Screw
16	Fence Block	49	Screw (2)
17	Fence Bars	50	Nosepiece
18	Screw (2)	51	Cylinder Top Block
19	Fence Locating Block	52	'O' Ring
20	Screw (2)	53	Seal
21	Top Cylinder Screws (8)	54	Piston Rod + Driver
22	Spacer Screws (4)	55	Seal
23	Table Screws (4)	56	'O' Ring
24	Table	57	Underpinning Cylinder
25	Wedge Pressure Controller	58	Cylinder Screw (8)
26	Screw (2)	59	Screw (2)
27	Screw (2)	60	Wedge Pressure Unit
28	Pressure Gauge	61	Magazine
29	Control Valves	62	Screw (2)
30	Body	63	Driver Guide
31	Air Inlet	64	Washer
32	Nut	65	Screw (2)
33	Top Pressure Controller	66	Spacer (2)

FRAMERS CORNER Tpb Pneumatic Underpinner

Figure 1 – Exploded View



FRAMERS CORNER TPB Pneumatic Underpinner
Figure 2 – Pneumatic System



Floorstand for TPB/ TPJ Pneumatic Underpinners

