



Woodworking machinery at its best!

**FINE FILTER EXTRACTOR
OWNERS MANUAL
MODEL: DC50**



**Charnwood, Cedar Court, Walker Road,
Hilltop Industrial Estate, Bardon Hill, Leicestershire, LE67 1TU**

**Tel. 01530 516 926 Fax. 01530 516 929
email: sales@charnwood.net website: www.charnwood.net**

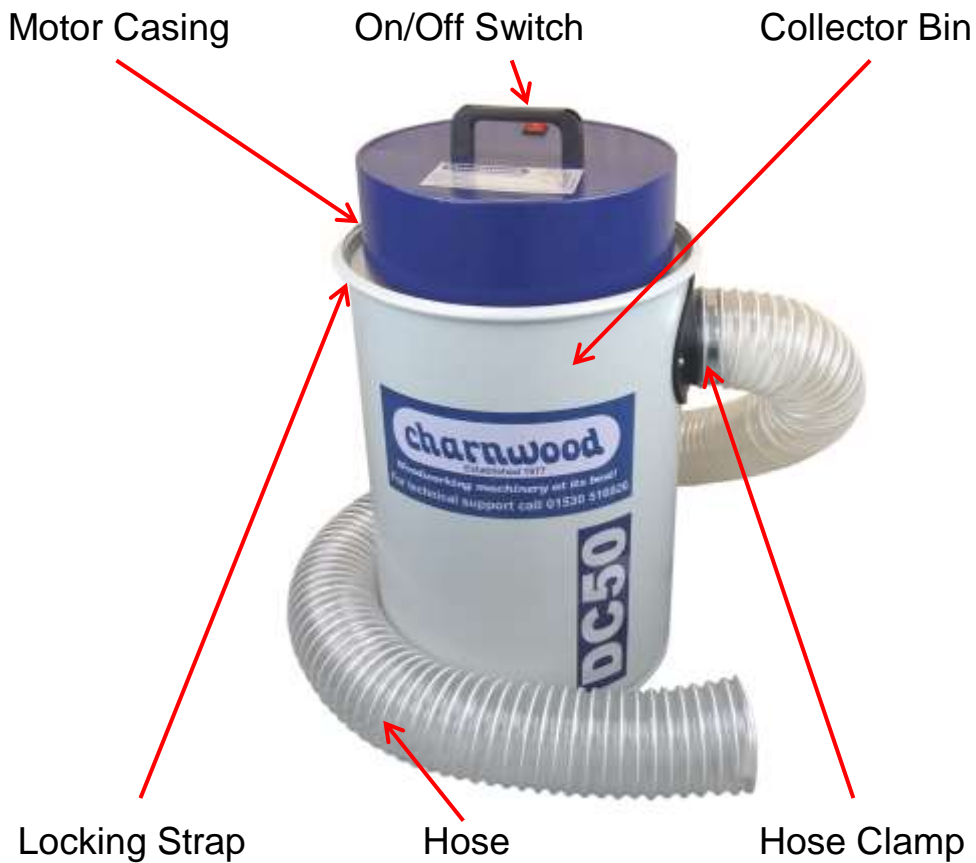


WARNING: Do not attempt to operate the machine until you have read thoroughly and understood completely all instructions, rules, etc. contained in this manual. Failure to comply may result in accidents involving fire, electric shock, or serious personal injury. Keep this owner's manual and review frequently for continuous safe operation.

Technical data

Voltage/frequency	230 V ~ 50 Hz
Motor (Carbon Brush)	1100 watts
Flowrate	3.05m ³ /min (53l/sec)
Drum capacity	50L
Inlet diameter	100mm
Net weight	10kg
Rating	Hobby

Main components



Safety Rules



Wear Eye Protection



Wear Ear Protection

As with all machines, there is a certain amount of hazard involved with the use of this dust extractor. Use the machine with the respect and caution demanded where safety precautions are concerned. When normal safety precautions are overlooked or ignored personal injury to the operator can result.

Read, understand and follow the safety and operating instructions found in this manual. Know the limitations and hazards associated with this dust extractor.

Electrical Earthing

Make certain that the machine frame is electrically earthed and that an earth lead is included in the incoming electrical service.

Eye Safety

Wear an approved safety shield, goggles or glasses to protect eyes. (NOTE: Standard eye glasses are not safety glasses).

Personal Protection

Before operating the machine, remove tie, rings, watch and other jewellery and roll up sleeves above the elbows. Remove all loose outer clothing and confine long hair.

Protective type footwear should be used. Do not wear gloves.

Guards

Keep the machine guards in place for every operation for which they can be used.

If any guards are removed for maintenance, DO NOT OPERATE the machine until the guards are re-installed.

Work Area

Keep the floor around the machine clean and free of scrap material, saw dust, oil and other liquids to minimize the danger of tripping or slipping. Make certain the work area is well lit. Provide adequate work space around the machine.

Operator Position

Maintain a balanced stance and keep your body under control at all times.

Housekeeping

Before turning on machine, remove all extra equipment such as keys, wrenches, scrap and cleaning rags away from the working area.

Careless Acts

Give the work you are doing your undivided attention. Looking around, carrying on a conversation and "horseplay" are careless acts that can result in serious injury.

Disconnect machine before performing any service or maintenance.

Hand Safety

Keep hands clear of the motor area. Do not reach down the hose to clear parts or scrap with the motor running. Avoid awkward operations and hand positions where a sudden slip could cause your hand to contact the blade.

Adjustments

Make all adjustments to the machine and operational setup with the power off.

Job Completion

If the operator leaves the machine area for any reason, he should turn off the power supply to the dust extractor.

Drugs, Alcohol, Medication

Do not operate this machine while under the influence of drugs, alcohol, or any medication.

Health Hazards

Some dust created by power sanding, sawing, grinding, drilling and other construction activities contains chemicals known to cause cancer, birth defects or other reproductive harm. Some examples of these chemicals are:

- * Lead from lead-based paint.
- * Crystalline silica from bricks and cement and other masonry products.
- * Arsenic and chromium from chemically-treated lumber.

Your risk from these exposures varies, depending on how often you do this type of work. To reduce your exposure to these chemicals, work in a well-ventilated area and work with approved safety equipment, such as those dust masks that are specifically designed to filter out microscopic particles.

Use Proper Extension Cord

Make sure your extension cord is in good condition. When using an extension cord be sure to use one heavy enough to carry the current your product will draw. An undersized cord will cause a drop in line voltage resulting in loss of power and overheating. If in doubt, use the next heavier cable size.

General Safety Procedures for Dust Extractors

This machine has been built exclusively for woodworking. Do not alter the design of the machine or use it for purposes not intended by the manufacturer. The manufacturer is not liable for damage or injury, which results from incorrect assembly, operation or electrical connections. This machine must be operated under strict safety regulations. This is the only way to reduce the risk of accidents.

Location

Be sure to switch on the machine and the exhaust unit simultaneously. The main cable plug must be connected as appropriate for the electrical installation and must have an earth lead (or a directly earth conductor for 240 V). It is advisable to have a qualified electrical connection. Appropriate lighting must be provided in the work area.

The Operator

Read the operating manual carefully to prevent machine accidents. Never work while under the influence of drugs, alcohol or medications. Wear tight-fitting work clothes, safety goggles and safety shoes and tie back long hair. Remove rings, wrist watches and bracelets before working. Ear protection is recommended. Never climb onto the machine table - the machine may fall over and cause injuries.

Keep children and visitors out of the work area.

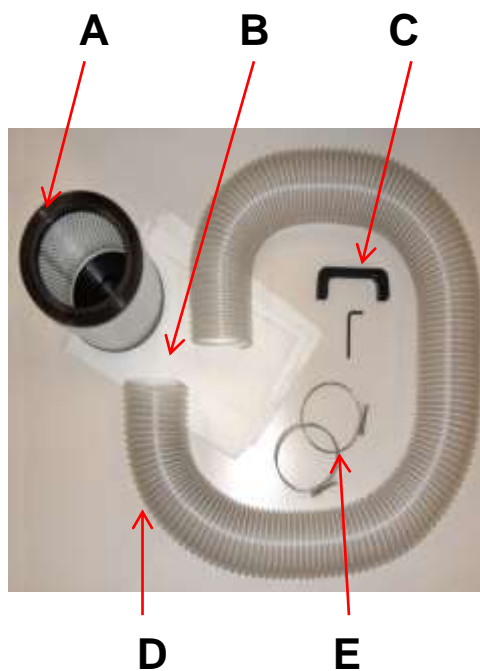
Assembly Instructions

For packaging reasons this machine is not entirely assembled. Remove the extractor from the carton, release the locking strap and remove the lid.



Inside the drum you will find the following components:

- A – Filter Cartridge
- B – Filter Bag x 3
- C – Handle & Hex Key
- D – 100mm Hose
- E – 100mm Hose Clamps x2



Remove the two M5 hex socket screws from the motor housing and attach the carrying handle using the hex key provided.



Place the Filter Cartridge (A) inside a Filter Bag (B) and fold any overhanging bag into the inside of the filter.



Push the filter cartridge onto the motor casing, trapping the filter bag in position.



Place the complete motor casing, lid and filter back onto the collector drum and secure in place with the locking strap.

Connect the hose using the 100mm hose clip and tighten with a 10mm spanner or socket.



Your Dust Extractor is now ready for use.

Optional Accessories

There are a large range of accessories available to connect the extractor to various types of machines which have dust outlets of different sizes.



Reducers are available which step down from the 100mm diameter hose to allow connections to bench top machine with smaller sizes.



When using the extractor with portable power tools, it is more convenient to fit a reducer and then a length of smaller diameter hose, normally 40mm or 50mm diameter, which will attach to the power tool without interfering with its operation.



We also have a range of extraction hoods, which can be used to make dust & chip extraction points for machines which do not have it built in.

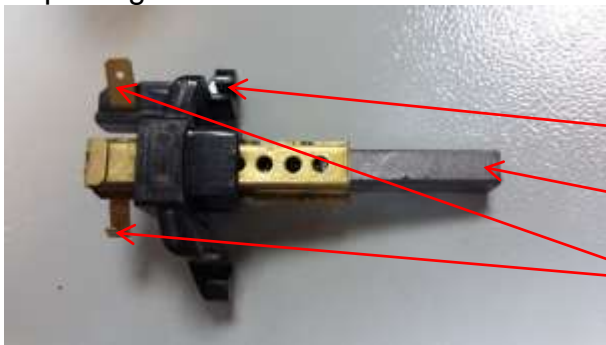
Maintenance

Before any type of maintenance is carried out, the extractor should be disconnected from the power supply.

Emptying the drum: The drum should be emptied when it is around 2/3rds full. If performance of the extractor deteriorates, it may be because the drum is too full. Wait for a few seconds for dust to settle, then undo the lid locking strap. Removing the hose may make the task easier. Empty the drum into a suitable container or bag.

Replacing the filters: The extractor has a 2 stage filter. The cartridge filter will generally last for many years but will eventually need replacing if it becomes damaged or clogged. The filter bag has a much shorter life and should be inspected every month. Replace it if it is worn or damaged. 2 spares are provided with the machine.

Replacing the motor brushes:

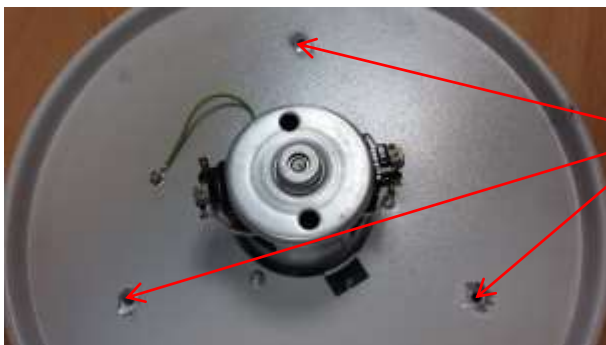


After some time the carbon brushes inside the motor may need replacing.

Brush Holder

Carbon Brush

Connection point



Disconnect from the power supply, remove the lid and remove the filters.

Remove 3 screws which hold the motor bracket to the lid.

Disconnect the earth wire and the two power feed wires.



The 2 connections to the brush are soldered. Unsolder the wires if you are competent to do so, otherwise cut the wires.

Undo the brush holder screw and remove the brush holder.

Follow the procedure in reverse to fit the new brush. Making sure to re-solder the 2 wires or fold the end of the wire around the tab, ensuring a good connection.


Declaration of Conformity for CE Marking

Charnwood Declare that Suction Cleaning Device, Model DC50

Conforms with the following Directives: Machinery Directive 2006/42/EC

And further conforms to the machinery example for which the EC type examination Certificate No. 17707252 have been issued by TUV Rheinland LGA Products GmbH, Tillystrasse 2, 90431 Nurnberg, Germany.

I hereby declare that equipment named above has been tested and found to comply with the relevant sections of the above referenced specifications. The machinery complies with all essential requirements of the directive.

Signed:  : 23/06/2016 Location: Leicestershire

Richard Cook, Director



Please dispose of packaging for the product in a responsible manner. It is suitable for recycling. Help to protect the environment, take the packaging to the local amenity tip and place into the appropriate recycling bin.



Only for EU countries

Do not dispose of electric tools together with household waste material!

In observance of European Directive 2002/96/EC on waste electrical and electronic equipment (EEE) and its implementation in accordance with national law, electric tools that have reached the end of their life must be collected separately and returned to an environmentally compatible recycling facility.

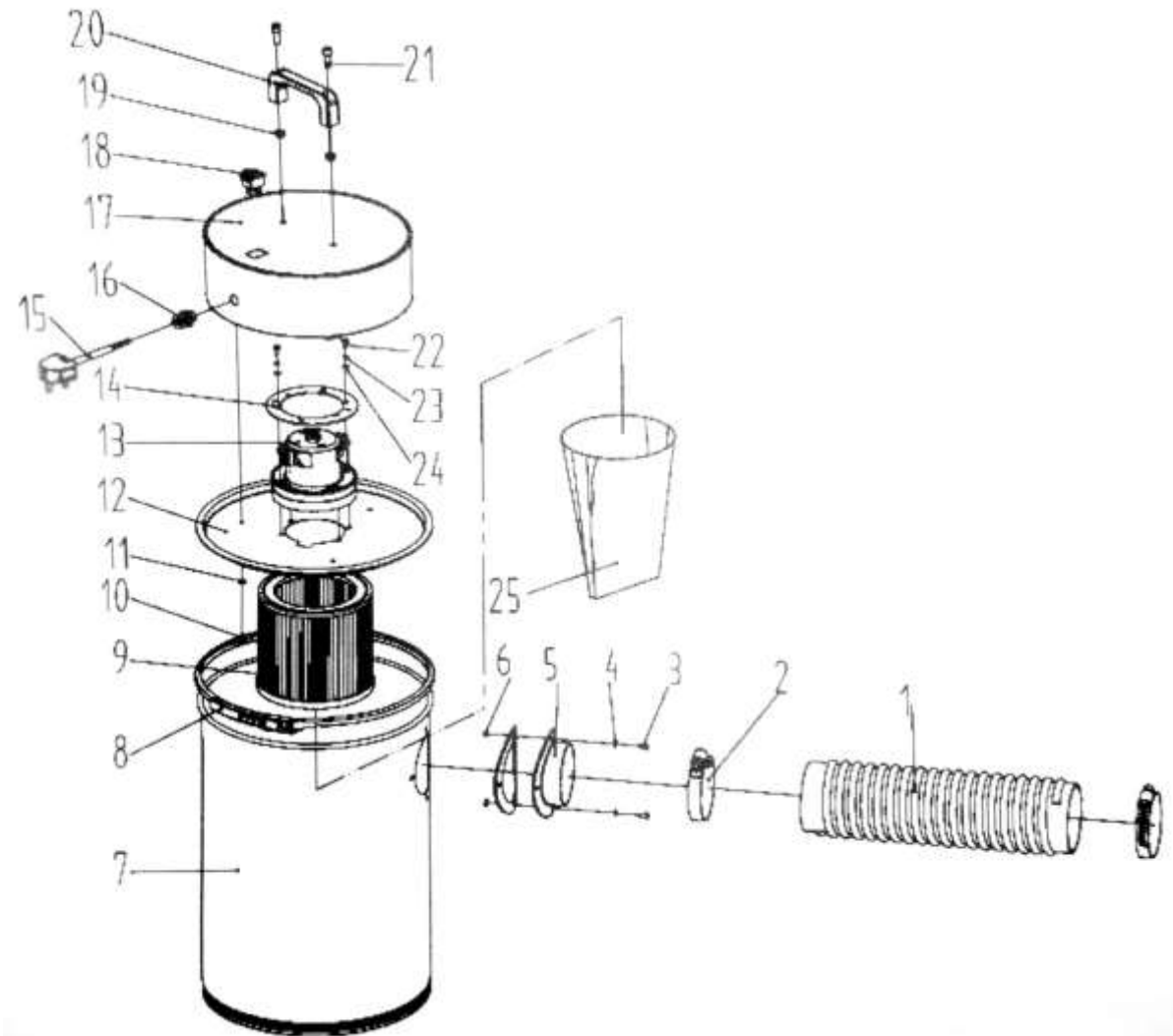


Your local refuse amenity will have a separate collection area for EEE goods

Charnwood DC50 Parts List

Part No.	Description	Part No.	Description
01	Extraction Hose 100mm Dia.	02	Hose Clamp
03	Screw M5 x 12mm	04	Washer M5
05	Extraction Port	06	Hex Nut M5
07	Collector Drum	08	Lid Locking Strap
09	Filter Cartridge	10	Screw M6 x 10mm
11	Pan Washer M6	12	Lid
13	Motor Assembly	14	Rubber Washer
15	Power Plug	16	Strain Relief Gland
17	Lid Cover	18	On/Off Switch XCK-019
19	Hex Nut M6	20	Handle
21	Screw M5 x 20mm	22	Screw M5 x 10mm
23	Spring Washer M5	24	Pan Washer M5
25	Filter Bag	BRUSH	Pair of Carbon Brushes

Charnwood DC50 Parts Drawing





Woodworking machinery at its best!

Manual Version: August 2016

**Charnwood, Cedar Court, Walker Road,
Hilltop Industrial Estate, Bardon Hill, Leicestershire, LE67 1TU
Tel. 01530 516 926 Fax. 01530 516 929
email: sales@charnwood.net website: www.charnwood.net**