

Charnwood

Woodworking machinery at its best!

**FINE FILTER EXTRACTOR
OPERATING INSTRUCTIONS
MODEL: W680**



**Charnwood, Cedar Court, Walker Road, Bardon Hill, Leicestershire,
LE67 1TU**

Tel. 01530 516926 Fax. 01530 516929

email; sales@charnwood.net website; www.charnwood.net

Introduction

To get the most out of your new dust extractor, please read through this manual and safety instructions before use. Please also save the instructions in case you need to refer to them at a later date.

Technical data

Voltage/frequency	230 V ~ 50 Hz
Motor (Induction)	1100 watts
Flowrate	3.05m ³ /min (53l/sec)
Drum capacity	50L
Inlet diameter	100mm
Net weight	10kg
Rating	DIY

Main components

- A. Motor casing
- B. Collector bin
- C. On/off switch
- D. Locking strap

- E. Hose
- F. Hose clamp



Fig.1

Safety Rules

As with all machines, there is a certain amount of hazard involved with the use of this dust extractor. Use the machine with the respect and caution demanded where safety precautions are concerned. When normal safety precautions are overlooked or ignored, personal injury to the operator can result.

Read, understand and follow the safety and operating instructions found in this manual. Know the limitations and hazards associated with this dust extractor.

Electrical grounding. Make certain that the machine frame is electrically grounded and that a ground lead is included in the incoming electrical service. In cases where a cord and plug are used, make certain that the grounding plug connects to a suitable ground. Follow the grounding procedure indicated in the local electrical code.

Eye safety. Wear an approved safety shield, goggles, or glasses to protect eyes. (NOTE: Common eye glasses are not safety glasses.)

Personal protection. Before operating the machine, remove tie, rings, watch and other jewelry and roll up sleeves above the elbows. Remove all loose outer clothing and confine long hair. Protective type footwear should be used. Do not wear gloves.

Guards. Keep the machine guards in place for every operation for which they can be used. If any guards are removed for maintenance, DO NOT OPERATE the machine until the guards are re-installed.

Work area. Keep the floor around the machine clean and free of scrap material, saw dust, oil and other liquids to minimize the danger of tripping or slipping. Make certain the work area is well lit. We recommend the use of anti-skid floor strips on the floor area where the operator normally stands and that each machine's work area is marked off. Provide adequate work space around the machine.

Operator position. Maintain a balanced stance and keep your body under control at all times.

Housekeeping. Before turning on machine, remove all extra equipment such as keys, wrenches, scrap, and cleaning rags away from the working area.

Careless acts. Give the work you are doing your undivided attention. Looking around, carrying on a conversation, and "horseplay" are careless acts that can result in serious injury.

Disconnect machine before performing any service or maintenance. A machine under repair should be RED TAGGED to show it should not be used until the maintenance is complete.

Hand safety. Keep hands clear of the motor area. Do not reach down the hose to clear parts or scrap with the motor running. Avoid awkward operations and hand positions where a sudden slip could cause your hand to contact the blade.

Adjustments. Make all adjustments to the machine and operational setup with the power off.

Job completion. If the operator leaves the machine area for any reason, he should turn "off" the power to the dust extractor.

If you are not thoroughly familiar with the operation of this dust extractor, obtain advice from your supervisor, instructor or other qualified person.

Drugs, alcohol, medication. Do not operate this machine while under the influence of drugs, alcohol, or any medication.

Health hazards. Some dust created by power sanding, sawing, grinding, drilling and other construction activities contains chemicals known to cause cancer, birth defects or other reproductive harm. Some examples of these chemicals are:

- * Lead from lead-based paint.

- * Crystalline silica from bricks and cement and other masonry products.

- * Arsenic and chromium from chemically-treated lumber.

Your risk from these exposures varies, depending on how often you do this type of work. To reduce your exposure to these chemicals, work in a well-ventilated area, and work with approved safety equipment, such as those dust masks that are specifically designed to filter out microscopic particles.

Use proper extension cord: Make sure your extension cord is in good condition. When using an extension cord, be sure to use one heavy enough to carry the current your product will draw. An undersized cord will cause a drop in line voltage resulting in loss of power and overheating. If in doubt, use the next heavier gauge the smaller the gauge number, the heavier the cord.

General Safety Procedures for Dust Etractor

This machine has been built exclusively for woodworking. Do not alter the design of the machine or use it for purposes not intended by the manufacturer. The manufacturer is not liable for damage or injury, which results from incorrect assembly, operation or electrical connections. This machine must be operated under strict safety regulations. This is the only way to reduce the risk of accidents.

Location

Be sure to switch on the machine and the exhaust unit simultaneously. The main cable plug must be connected as appropriate for the electrical installation and must have an earth lead (or a directly earth conductor for 240 V). It is advisable to have a qualified electrical connection. Appropriate lighting must be provided in the work area.

The Operator

Read the operating manual carefully to prevent machine accidents. Never work while under the influence of drugs, alcohol or medications. Wear tight-fitting work clothes, safety goggles and safety shoes and tie back long hair. Remove rings, wrist watches and bracelets before working.

Ear protection is recommended. Never climb onto the machine table: the machine may fall and cause injuries.

Keep children and visitors out of the work area.

Grounding Instructions

Caution: This tool must be grounded while in use to protect the operator from electric shock.

In the event of a malfunction or breakdown, grounding provides a path of least resistance for electric current to reduce the risk of electric shock. This tool is equipped with an electric cord having an equipment-grounding conductor and a grounding plug. The plug must be plugged into a matching outlet that is properly installed and grounded in accordance with all local codes and ordinances.

Do not modify the plug provided. If it will not fit the outlet, have the proper outlet installed by a qualified electrician.

Improper connection of the equipment-grounding conductor can result in a risk of electric shock. The conductor, with insulation having an outer surface that is green with or without yellow stripes, is the equipment-grounding conductor. If repair or replacement of the electric cord or plug is necessary, do not connect the equipment-grounding conductor to a live terminal.

Check with a qualified electrician or service personnel if the grounding instructions are not completely understood, or if in doubt as to whether the tool is properly grounded. Use only three wire extension cords that have three-prong grounding plugs and three-pole receptacles that accept the tool's plug.

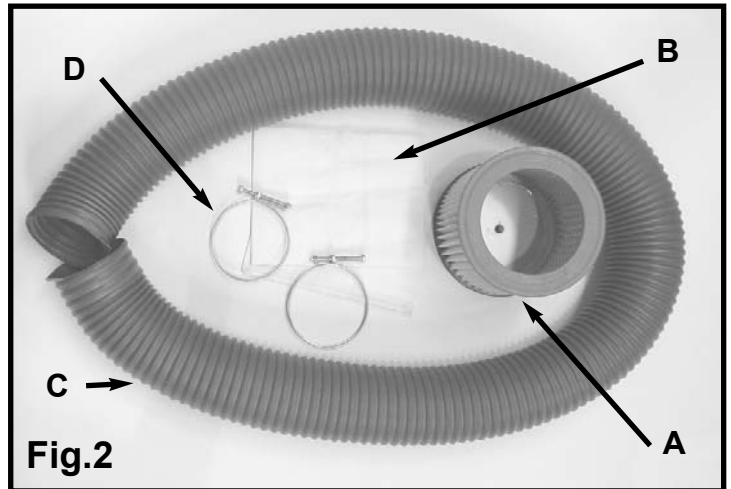
Repair or replace a damaged or worn cord immediately.

ASSEMBLY INSTRUCTIONS

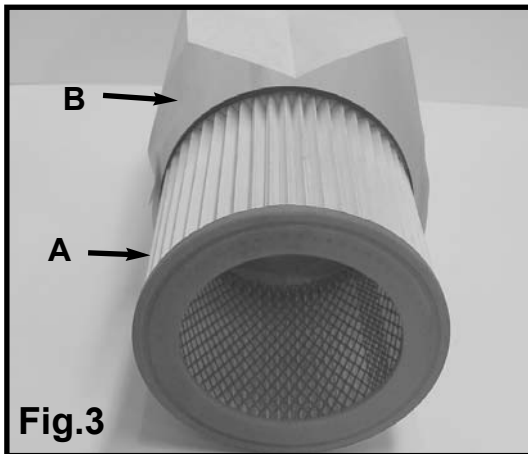
- For packaging reasons this machine is not entirely assembled. Take the extractor out of the packing, release the locking strap and remove the motor casing.

- In the bin you will find all the following components

- A. Filter cartridge
- B. Filter bag x 3
- C. Hose
- D. 100mm Hose clamps x 2



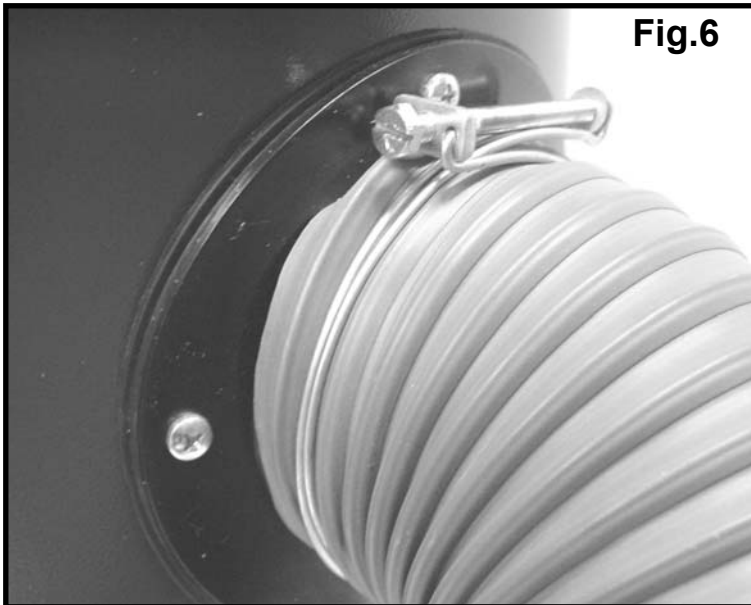
- Place the filter cartridge(A) inside the filter bag (B) and push any over hanging bag inside the filter.



- Place the filter cartridge onto the motor casing. Place the complete motor casing back onto the collector bin and secure in place with the locking strap



- Mount the 100mm hose using the 100mm hose clip



Please dispose of packaging for the product in a responsible manner. It is suitable for recycling. Help to protect the environment, take the packaging to the local amenity tip and place into the appropriate recycling bin.



Only for EU countries

Do not dispose of electric tools together with household waste material!

In observance of European Directive 2002/96/EC on waste electrical and electronic equipment (EEE) and its implementation in accordance with national law, electric tools that have reached the end of their life must be collected separately and returned to an environmentally compatible recycling facility.

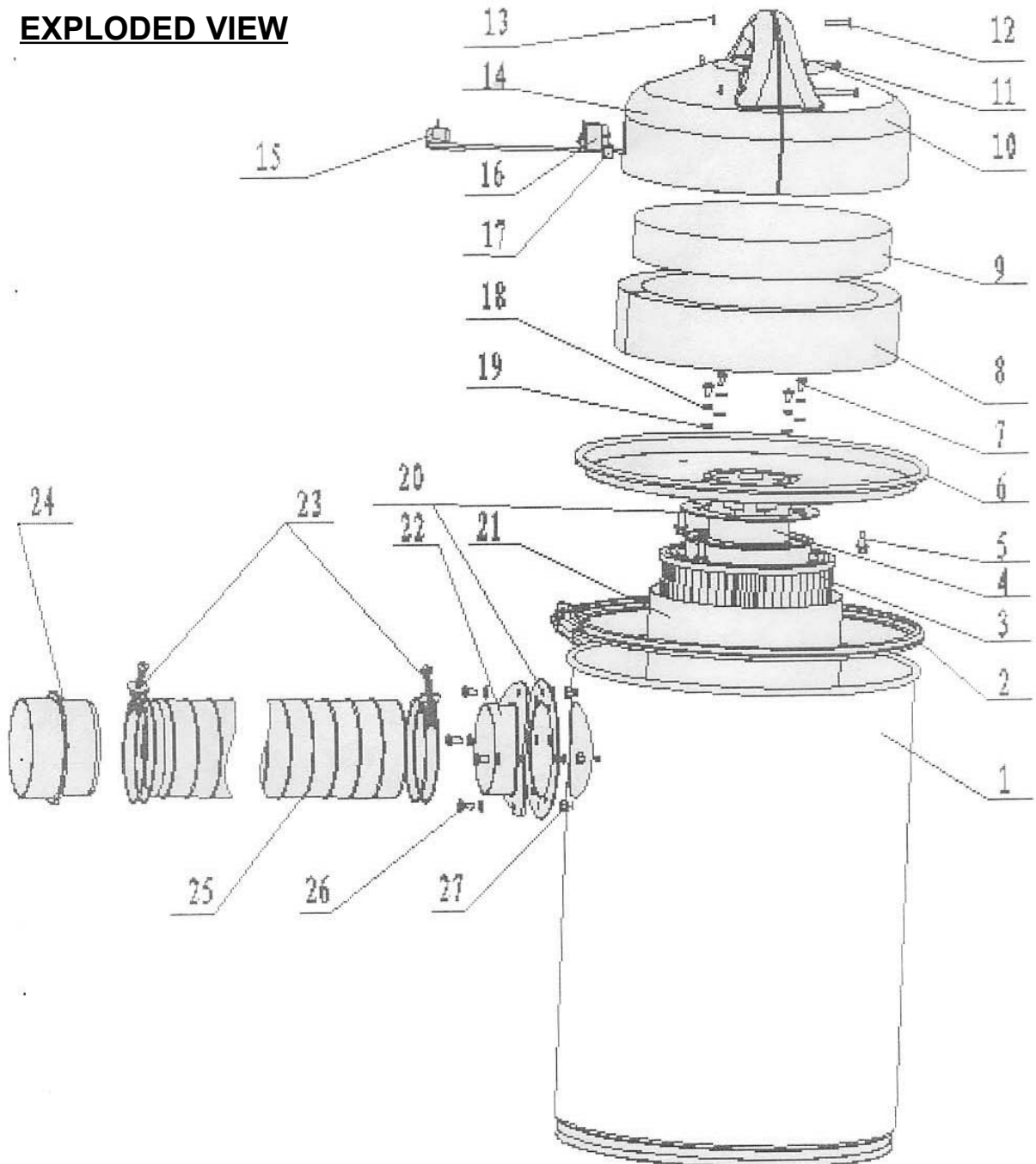
Your local refuse amenity will have a separate collection area for EEE goods.



PARTS LIST

Part No	Description	Q'TY	Part No	Description	Q'TY
1	Bin collector	1	15	Plug	1
2	Locking strap	1	16	Switch	1
3	Cartridge filter	1	17	Strain Relief	2
4	Motor	1	18	Washer	1
5	Screw ST5.5x15	1	19	Washer	1
6	Container lid	1	20	Sealed Ring	1
7	Screw M5 x 10	1	21	Paper Filter Bag	1
8	Long sponge	1	22	Connector	1
9	Round sponge	1	23	Hose Clamp	2
10	Right motor casing	1	24	Inlet	1
11	Screw M5 x 45	1	25	Hose	1
12	Screw M5 x 25	3	26	Screw	1
13	M5 nut	3	27	Nut	2
14	Left motor casing	1			

EXPLODED VIEW





Woodworking machinery at its best!

**Charnwood, Cedar Court, Walker Road, Bardon Hill, Leicestershire,
LE67 1TU**

Tel. 01530 516926 Fax. 01530 516929

email; sales@charnwood.net website; www.charnwood.net