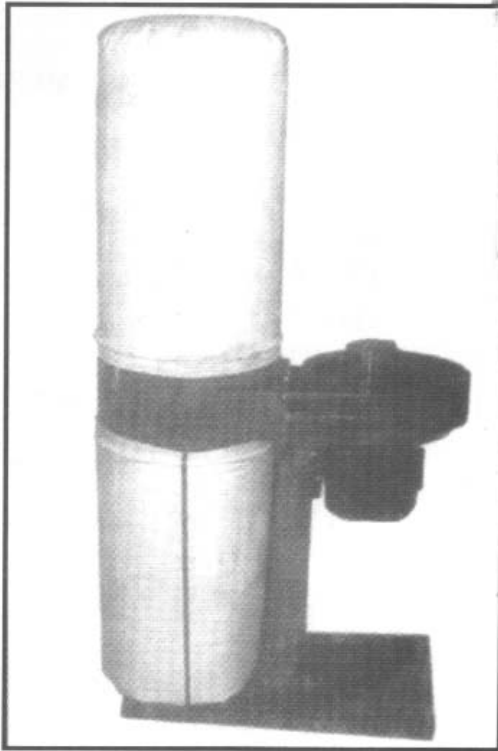


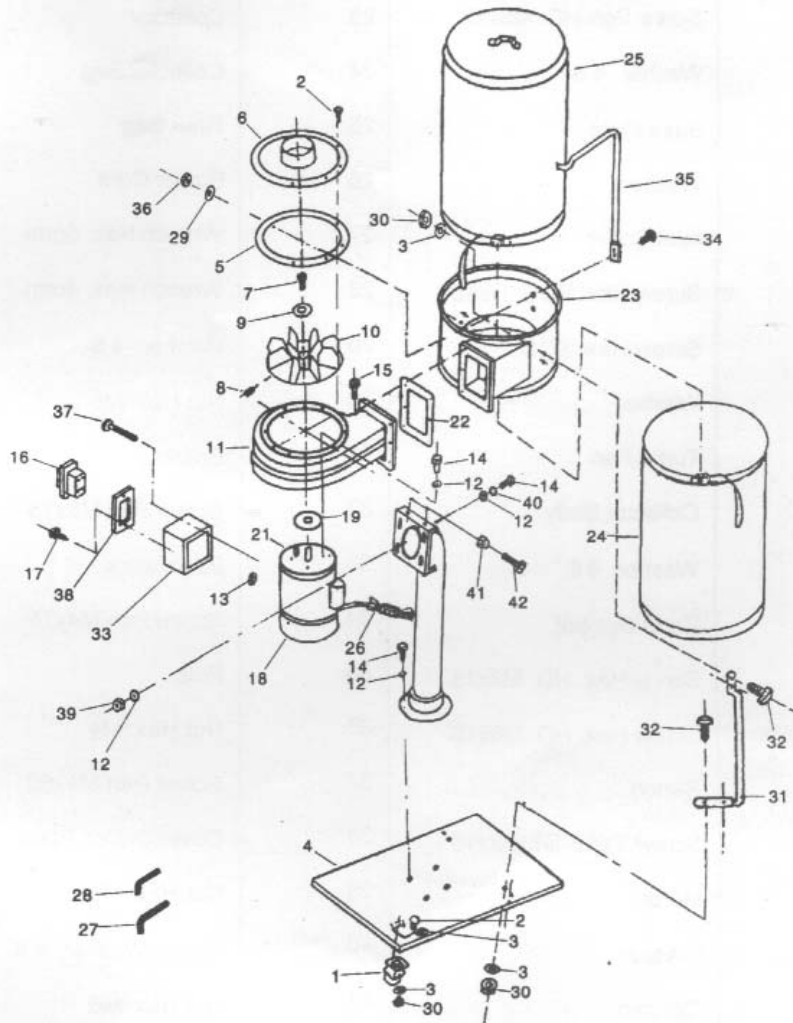
charnwood

W690 DUST COLLECTOR



Charnwood; Cedar Court, Walker Road, Bardon Hill
Leicestershire, le67 1TU
Tel: 01530 516 926 Fax: 01530 516 929

PARTS DIAGRAM



PARTS LIST

PART NO.	DESCRIPTION	PART NO.	DESCRIPTION
1.	Caster	22.	Washer
2.	Screw Pan HD. M5x12	23.	Collector
3.	Washer ϕ 5	24.	Collector Bag
4.	Base Plate	25.	Filter Bag
5.	Washer	26.	Power Cord
6.	Inlet Cover	27.	Wrench Hex. 5mm
7.	Screw Hex. SOC. Head	28.	Wrench Hex. 4mm
8.	Screw Hex. SOC.	29.	Washer ϕ 5
9.	Washer	30.	Nut Hex. M5
10.	Turbo Fan	31.	Bracket
11.	Collector Body	32.	Screw Pan M5x15
12.	Washer ϕ 8	33.	Box Switch
13.	Earth Symbol	34.	Screw Pan M4x15
14.	Screw Hex. HD. M8x15	35.	Pole
15.	Screw Hex. HD. M6x15	36.	Nut Hex. M4
16.	Switch	37.	Screw Pan M4x60
17.	Screw TYAB ST 4.2x15	38.	Cover Switch Plate
18.	Motor	39.	Nut Hex. M8
19.	Washer	40.	Spring Washer ϕ 8
20.	Column	41.	Nut Hex. M6
21.	Key 5x5x30	42.	Screw Hex. HD M6x20