

charnwood

Woodworking machinery at its best!

5HP DUST EXTRACTOR OPERATING INSTRUCTIONS

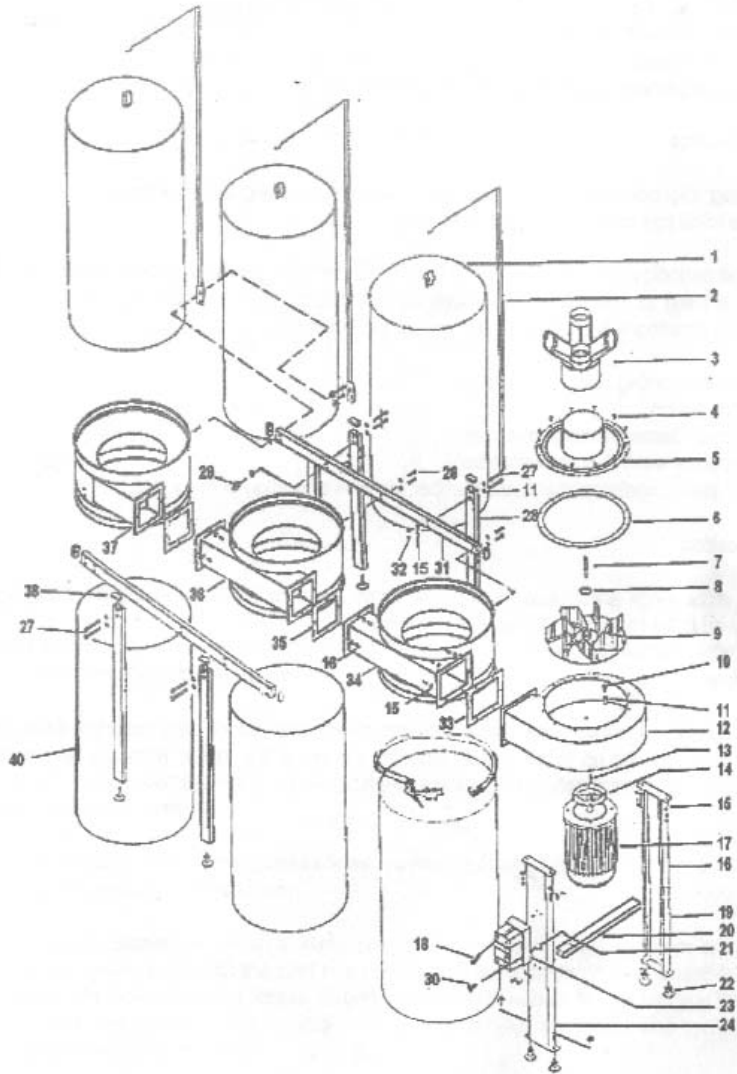
MODEL: W693



CE

Charnwood, 1 Rowan Street, Leicester, LE3 9GP
Tel. 0116 251 1550 Fax. 0116 253 2891
email; sales@charnwood.net website; www.charnwood.net

Parts Diagram



Parts List

Part No.	Description	QTY	Part No.	Description	QTY
1	Filtration bag	3	21	Hex bolt M5	4
2	Upper bag support	3	22	Support foot	8
3	Inlet	1	23	Switch	1
4	Cap screw M6x12	12	24	Front support leg	1
5	Inlet cover	1	25	Hex nut M10	8
6	Gasket	1	26	Hex bolt M8x35	20
7	Screw M6x20	1	27	Hex bolt M8x65	8
8	Flat washer	1	28	Support tube	4
9	Impellor	1	29	Hex nut M8	8
10	Hex bolt M10x20	4	30	Screw M5x16	4
11	Lock washer 10	4	31	Connecting tube	2
12	Impellor housing	1	32	Hex nut M10	8
13	Pin 6x20	1	33	Gasket	1
14	Gasket	1	34	Front separator	1
15	Flat washer 8	54	35	Gasket	2
16	Hex bolt M8x16	18	36	Middle separator	1
17	Motor	1	37	Rear separator	1
18	Screw ST4.2x13	4	38	Rubber Insert	8
19	Rear support leg	1	39	Clamp belt	6
20	Cross brace	1	40	Collection bag	3