



Woodworking machinery at its best!

6" x 4" PLANER THICKNESSER OPERATING INSTRUCTIONS

MODEL: W586



**Charnwood, Cedar Court, Walker Road, Bardon,
Leicestershire, LE67 1TU**

Tel. 01530 516 926 Fax. 01530 516 929
Email; sales@charnwood.net website; www.charnwood.net

Introduction

To get the most out of your new planer thicknesser, please read through this manual and safety instructions before use. Please also save the instructions in case you need to refer to them at a later date.

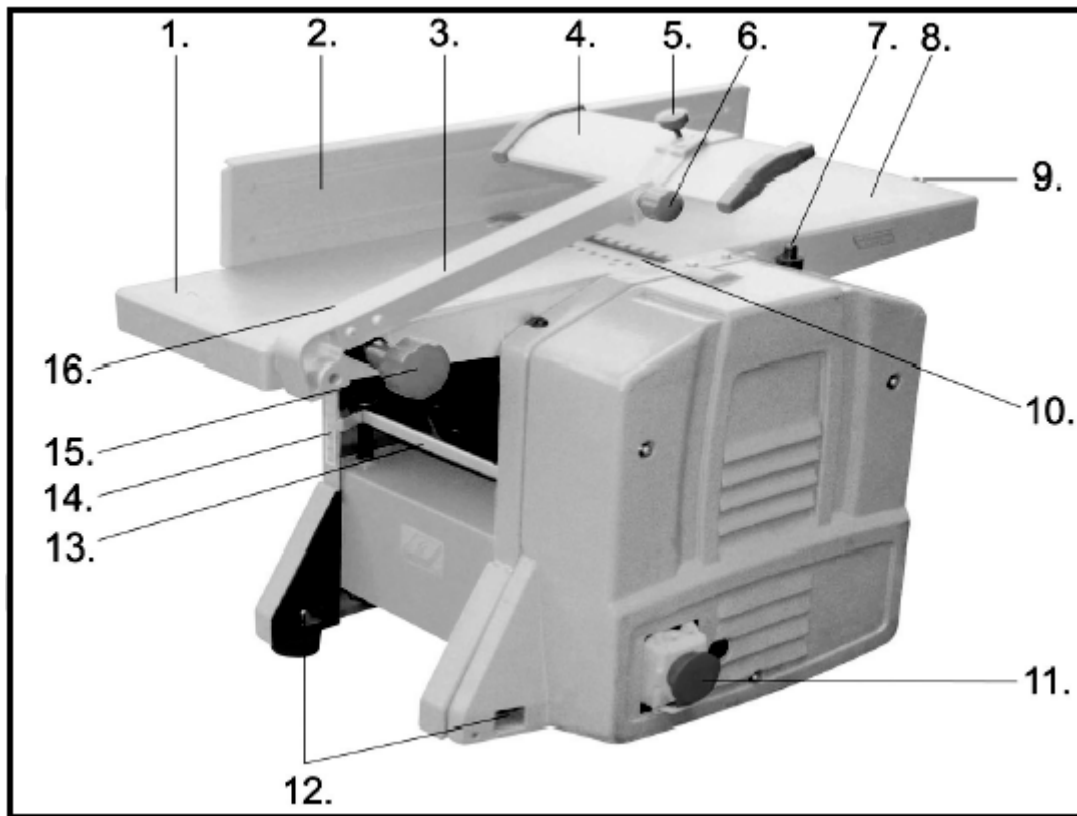
Technical data

Voltage/frequency	230 V ~ 50 Hz
Power rating	1280 W
<i>Planer:</i>	
Planing width	152 mm
Planing depth	0-3 mm
Work table	655 × 162 mm
Working height	355 mm
Fence	480 x 80 mm
Angle range	90-135°
 <i>Thicknesser:</i>	
Planing width	152 mm
Capacity	5-100 mm
Planing depth	0-2 mm
Work table	254 × 158 mm
Feed-in speed	8 m/min
No. of blades	2
Extractor outlet	100 mm dia.

Main components

1. Rear table
2. Guide fence
3. Blade guard arm
4. Blade guard
5. Width adjustment knob
6. Angle adjustment knob
7. Depth adjustment handle (thicknesser)
8. Front table
9. Plane depth adjustment knob (plane)
10. Blade housing
11. On/off switch
12. Stabilising holes
13. Thicknesser table
14. Plane depth indicator
15. Arm adjustment knob
16. Hole for depth adjustment (in back table)

An extractor nozzle, tools and blade adjustment gauge are also included (not illustrated here).



Special safety instructions

For planing wood only.

Never use the machine if the blade is not correctly locked in the blade housing.

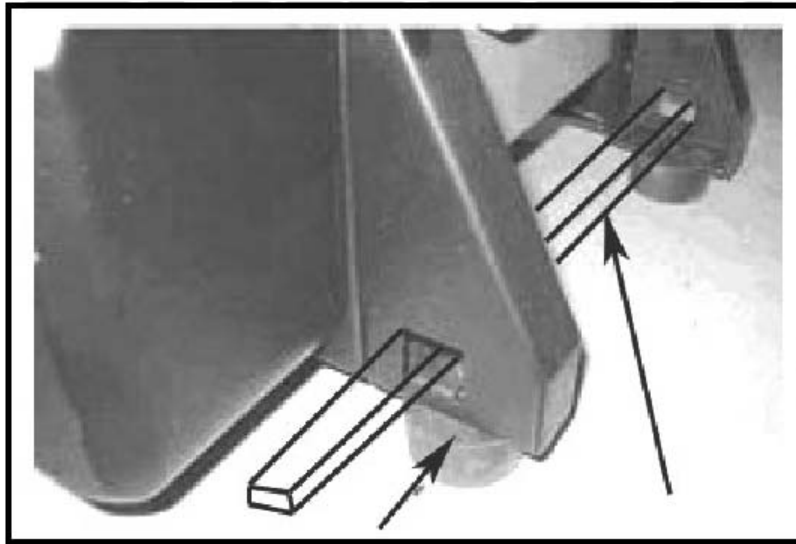
When not in use, cover the blade housing.

Use a piece of scrap wood as a pusher when planing small items.

Never allow fingers or tools to get near the blade when machine is in use.

Never try to plane across the grain.

Test on/off switch regularly.



Mounting

Place on a level, stable surface.

Fit the side guide (2) using the two screws supplied.

Fit blade guard arm (3) to rear table (1) opposite side guide.

Stabilise machine if required by passing a piece of wood through stabilising holes (12) on base. This is advisable if large items are to be planed.

Attaching extractor hose



Planing

Turn depth adjustment handle (7) anti-clockwise to fully lower thicknesser table (13).

Connect extractor hose to thicknesser table under the front table. The three studs in the extractor nozzle slot into the corresponding holes on the table. Raise thicknesser table again by turning handle clockwise, until nozzle fits tightly to underside of table.

Fit adapter on nozzle and connect to extractor system.

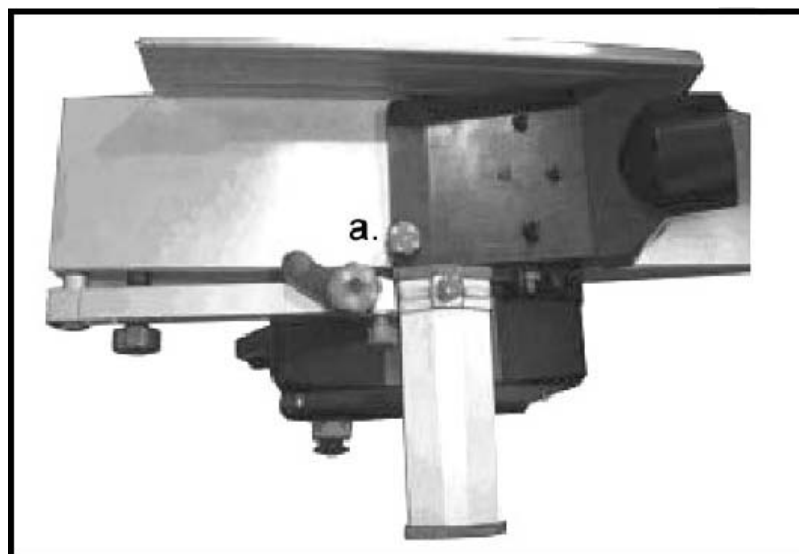


Thicknessing

Slacken width adjustment knob (5) on blade guard (4), and push clear of blade housing (10).

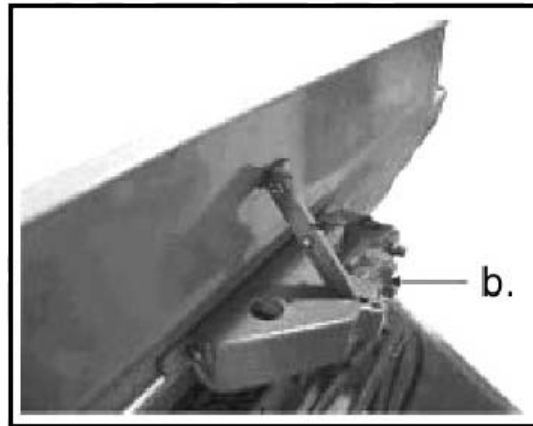
Fit extractor to back table using handle (a).

Fit adapter on nozzle and connect to extractor system.



Setting guide fence

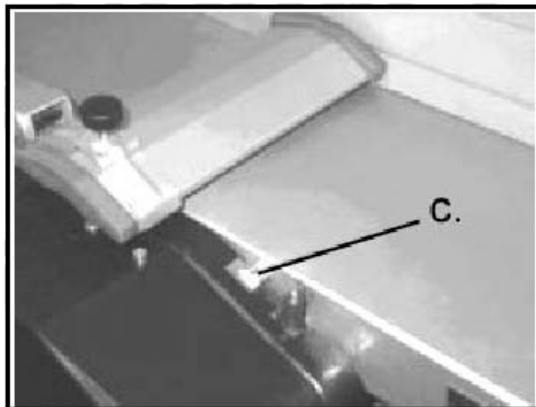
Set guide fence at desired angle (90-135°) using adjustment screw (b)
Insert plug in mains socket.



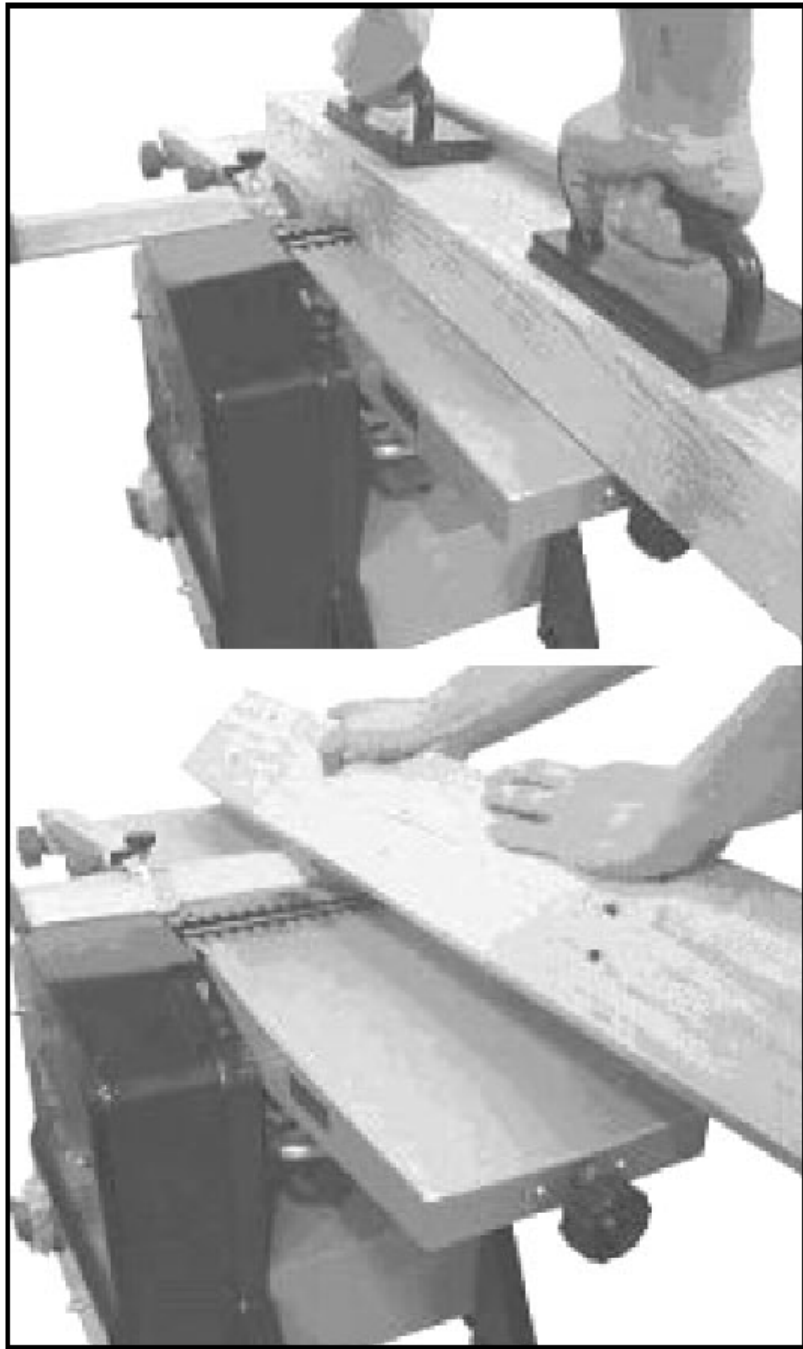
Use

Planing

Turn adjustment knob (9) to lower front table to desired height. Planing depth can be seen on indicator (c).



Place workpiece on front table and set blade guard to required height using arm adjustment knob (15).



The workpiece should be able to pass unhindered under the guard.
Set guide fence angle, if planer is to be used for beveling.
Start machine at on/off switch (11).
Slide item slowly and steadily towards blade.

Thickening

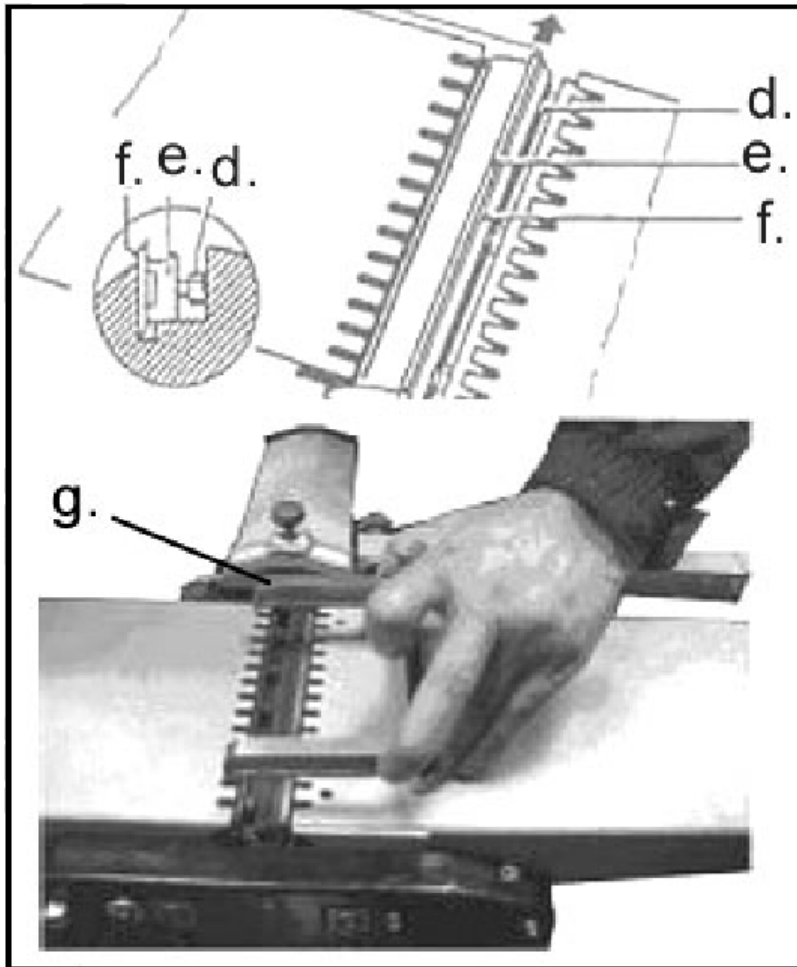
Arrange blade guard over blade housing and secure in place.
Set thickener to desired depth using handle.
Planing depth can be seen on indicator (14).
Start machine.
Place workpiece on thickener table on side of machine with arrow, and slide slowly and steadily forward with side to be planed facing upwards.
Wedge-shaped items must be planed thick end first.

General

Switch off machine after use and remove chips and dust from blades.

Cleaning and maintenance

Always disconnect machine from mains before performing maintenance!



Servicing and replacing blades

Remove side guide and blade guard. Slacken screws (d) with the screwdriver supplied.

Turn blade housing until holder (e) and blade (f) can be removed.

Clean mounting bearings, blade housing and blade with an oily cloth. Replace or sharpen blade if blunted.

Fit blade and holder in blade housing.

Place blade adjustment gauge (g) on rear table and check blade height is even both ends. Tighten screws with screwdriver.

Check blade can revolve freely.

Fit guide fence and cover blade housing with blade guard.

General cleaning

Remove dust and chips regularly from machine with a brush or compressed air. Check that motor ventilation slots are not blocked.

Lubricate all bearings and moving parts regularly with oil. Avoid getting oil on drive belt.

Regularly remove sap and the like from the front and rear tables with household spirit or petroleum.

Environmental information

You can help protect the environment!

Follow local environmental regulations: Dispose of unwanted electrical equipment at an approved refuse disposal centre.

