

W013 PARTS LIST

Part No.	Description	Qty.
1	TABLE	1
2	BENCH SUPPORT	2
3	INSERT PLATE	1
4	INSERT RING 90mm DIAMETER	1
5	INSERT RING 42mm DIAMETER	1
6	COUNTERSUNK SCREW M8x55mm	4
7	HEX NUT M8	4
8	WASHER M8	4
9	COUNTERSUNK SCREW M6x16mm	4
10	GUARD	1
11	WOODEN FENCE	2
12	FENCE BASE	1
13	VERTICAL CLAMP	2
14	VERTICAL CLAMP SUPPORT	2
15	DUST CHUTE	1
16	SLOT GUIDE	1
17	FINGER PRESSURE	1
18	NOTCHED SCREW M6x30mm	2
19	WASHER M6	6
20	KNOB FEMALE M6	4
21	KNOB M5x10mm	4
22	WASHER M5	4
23	ROUNDHEAD SCREW M5x10mm	2
24	KNOB M6x16mm	2
25	COUNTERSUNK SCREW M6x25mm	2
26	MITRE GUIDE RAIL	1
27	MITRE GUIDE FENCE	1
28	MITRE GUIDE	1
29	PACK OF FIXING SCREWS	
	M4x15mm	3
	M5x15mm	4
	M6x15mm	4

Optional Items

- W014 Floorstand and extension tables kit; The sturdy floorstand converts the bench top model into a freestanding model with the working surface at the correct height. The three extension tables increase the table area by 100%.
- W025 No-Volt Release Switch; An excellent safety device, the switch is used instead of the routers on/off switch and avoids the user having to reach under the table when the router is running.

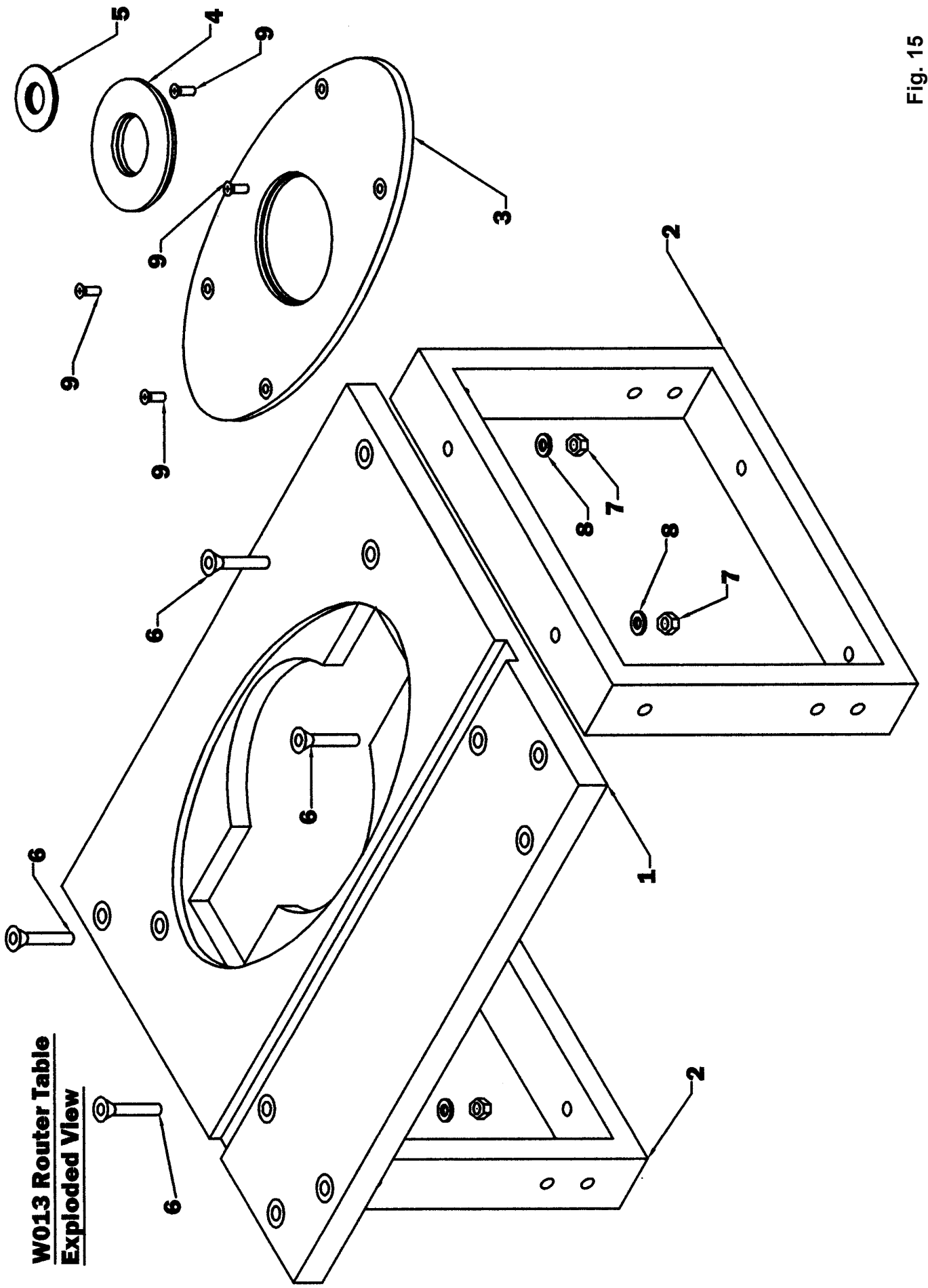


Fig. 15

W013 Router Table
Exploded View

**W013 Router Table
Fence, Guards &
Pressures
Exploded View**

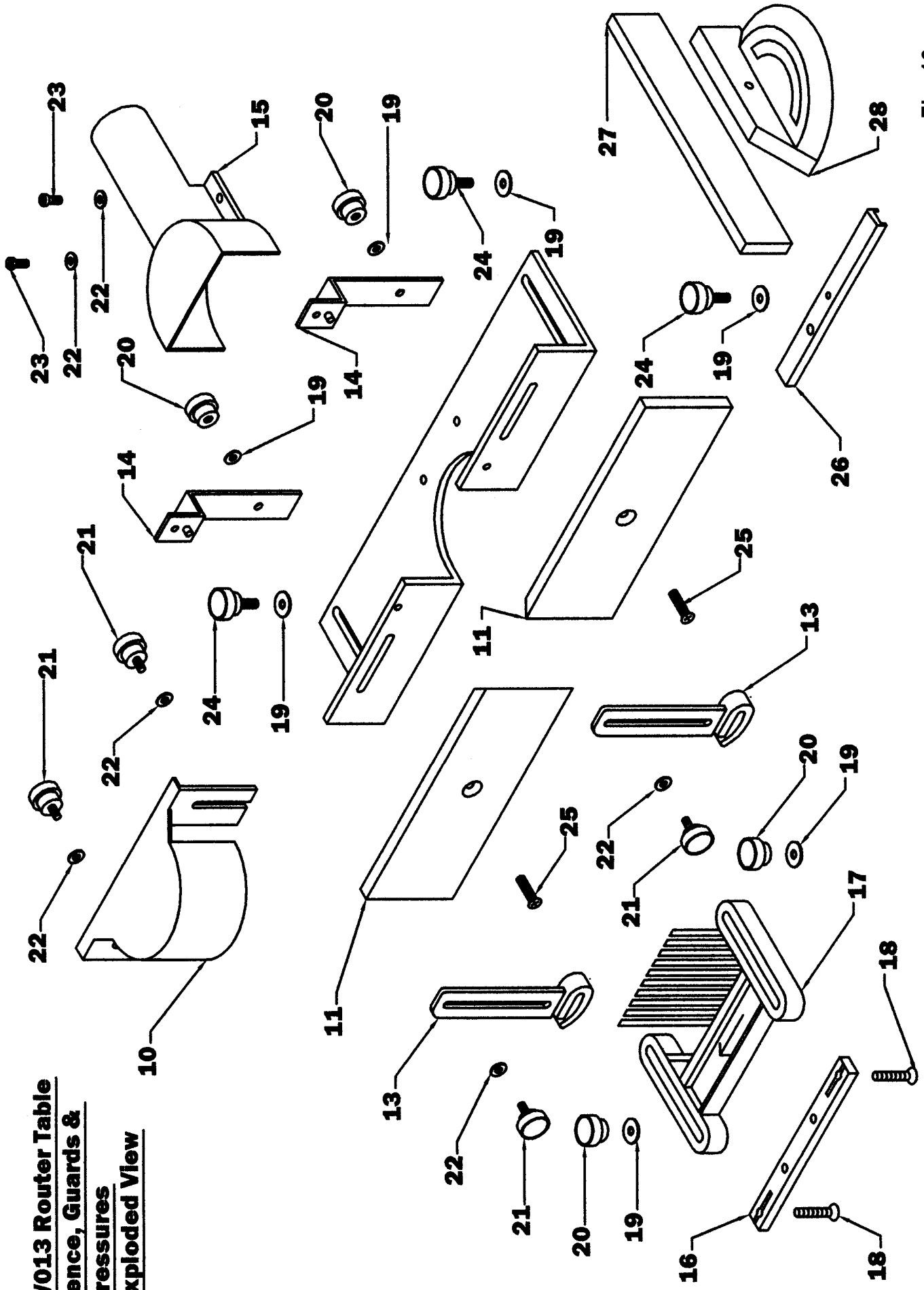


Fig. 16