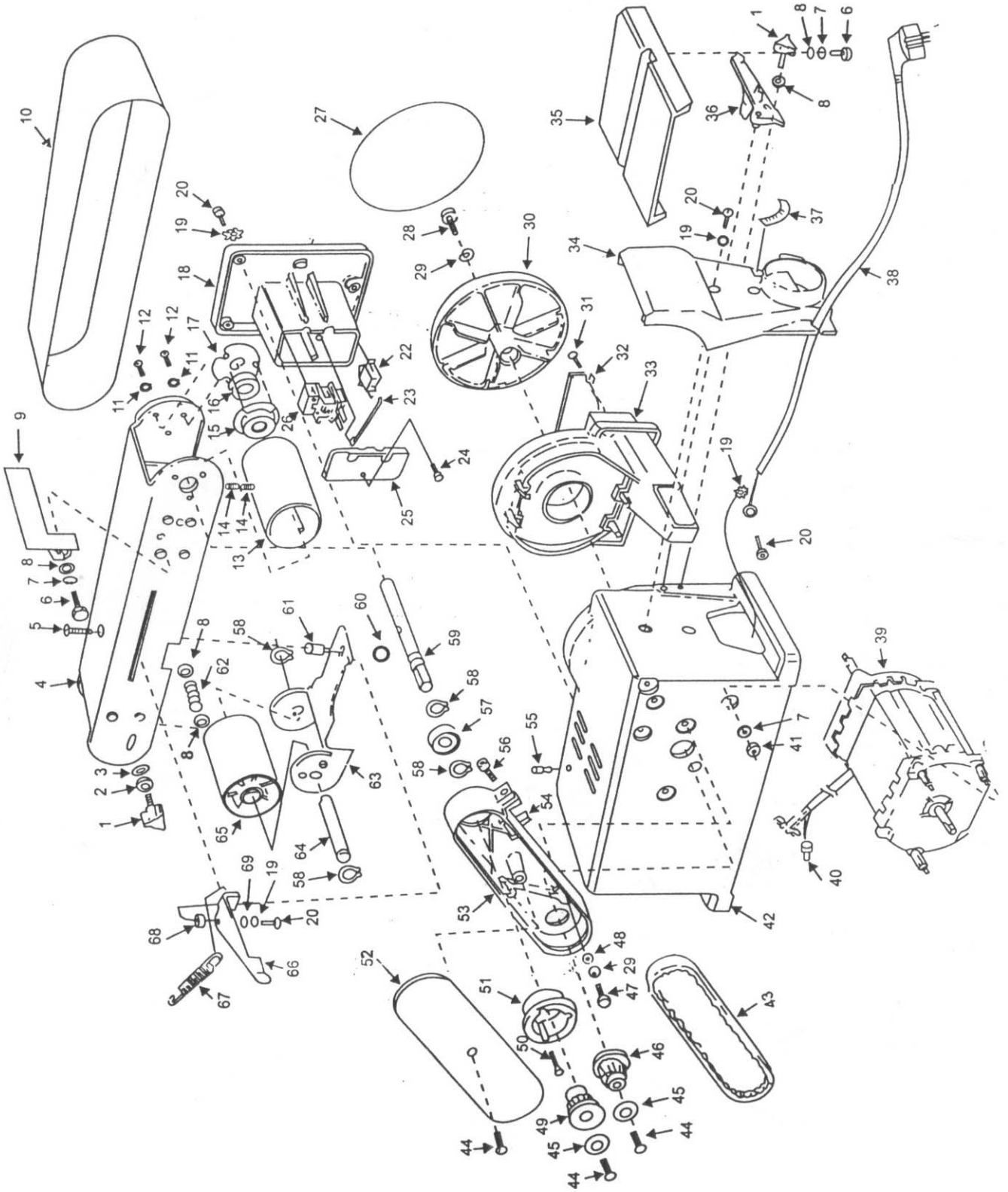


PARTS LIST FOR W407 BELT AND DISC SANDER



Key No.	Description
1	Knob
2	Washer, Rubber
3	Washer, Notched
4	Bed
5	Screw, Flat Cross M5 x 0.8-35
6	Screw, Hex M6 x 1.0-14
7	Lockwasher, Ext. M6
8	Washer, 6.5 x 17.8 x 1.6
9	Support, Work
10	Belt, Sanding 4" x 36"
11	Lockwasher, Helical M5
12	Screw, Pan Hd M5 x 0.8-8
13	Drum, Drive
14	Screw, Socket Set M8 x 1.25-10
15	Cap, Bearing
16	Bearing w/Felt Washer
17	Spacer, Bearing
18	Housing Switch
19	Lockwasher, Ext. M5
20	Screw, Pan Hd. M5 x 0.8-16
22	Switch
23	Lead
24	Screw, Pan Cross Type "AB" M4.2 x 1.4-30
25	Cover, Switch Box
26	Relay
27	Pad, 6" Sandpaper
28	Screw, Pan Cross M6 x 1.0-12
29	Lockwasher, Hlical M6
30	Disc
31	Screw, Pan Hd Type "AB" M4.2 x 1.4-12
32	Guard, Disc
33	Shroud, Disc
34	Collector, Dust

Key No.	Description
35	Table
36	Support, Table
37	Label, Scale
38	Cord W/Plug
39	Motor (1/3 HP)
40	Connector, Wire
41	Nut, Hex M6 x 1.0
42	Base
43	Belt, Timing Drive
44	Screw, Flat Cross M5 x 0.8-10
45	Washer, Countersink
46	Pulley, Drive
47	Screw, Pan Hd. M6 x 1.0-25
48	Washer, M6 x 12 x 1.6
49	Pulley, Drive
50	Screw, Flat Hd. M5 x 0.8-25
51	Support, Bearing
52	Cover, Belt
53	Support, Bed
54	Nut, Square M8 x 1.25
55	Bumper, Rubber
56	Screw, Hex Soc. Cap M8 x 1.25-25
57	Bearing, Ball
58	Ring, Retaining M12
59	Shaft, Drive
60	Nut, Hex Flange M5 x 0.8
61	Spacer, Guide
62	Spring, Index
63	Guide, Drum
64	Shaft, Idler
65	Drum, Idler
66	Lever, Tension
67	Spring, Tension
68	Spacer, Lever
69	Washer, M5 x 15 x 1.2 Owner's Manual (Not Illus.)